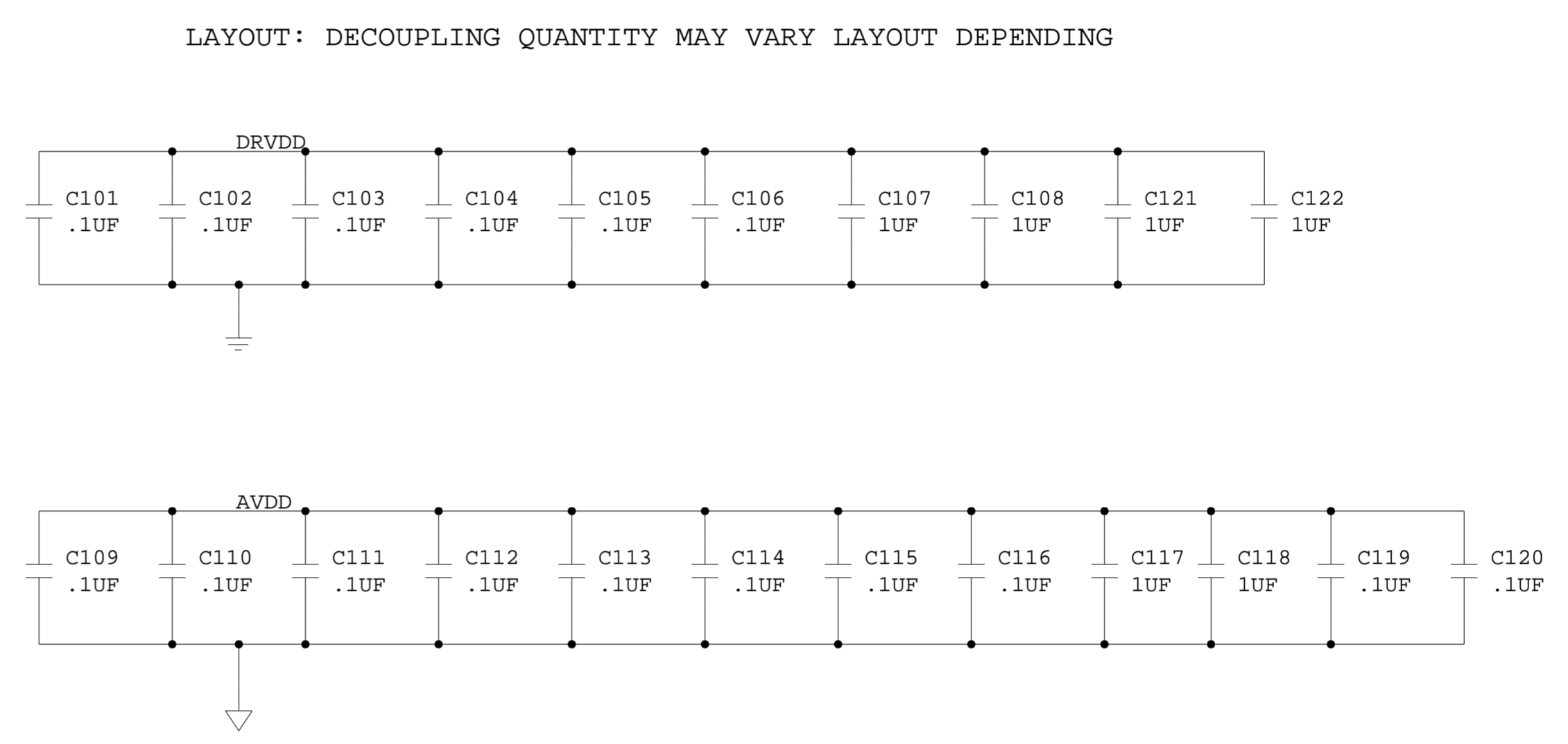
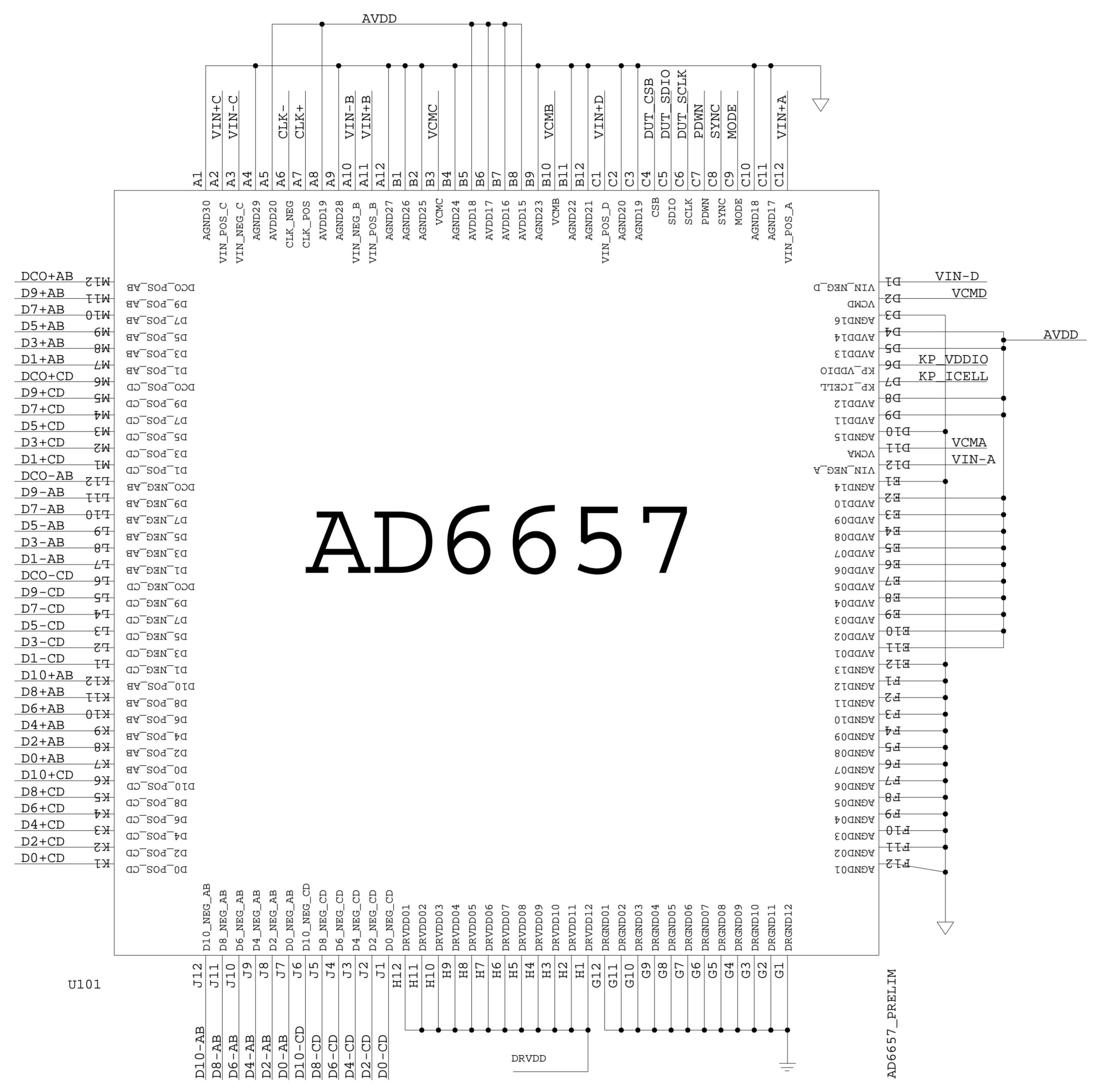


REVISIONS			
REV	DESCRIPTION	DATE	APPROVED

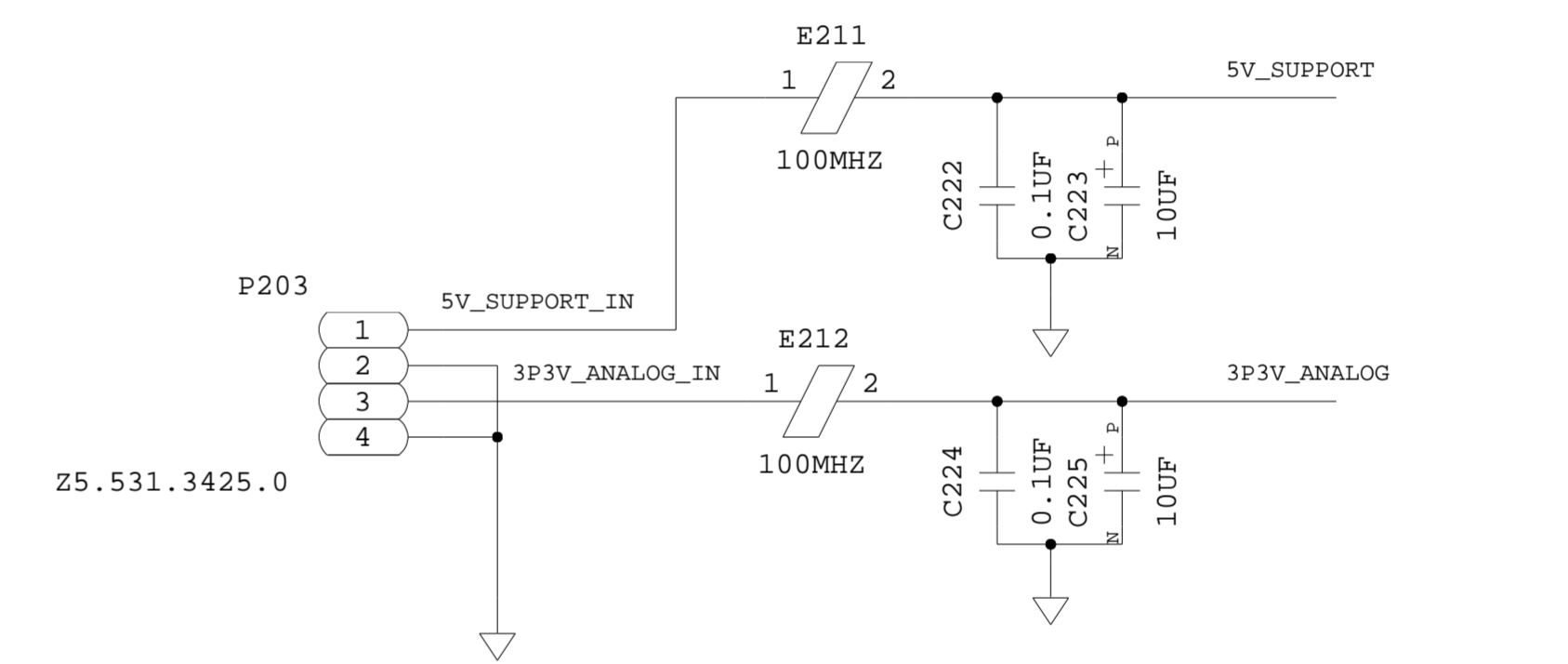
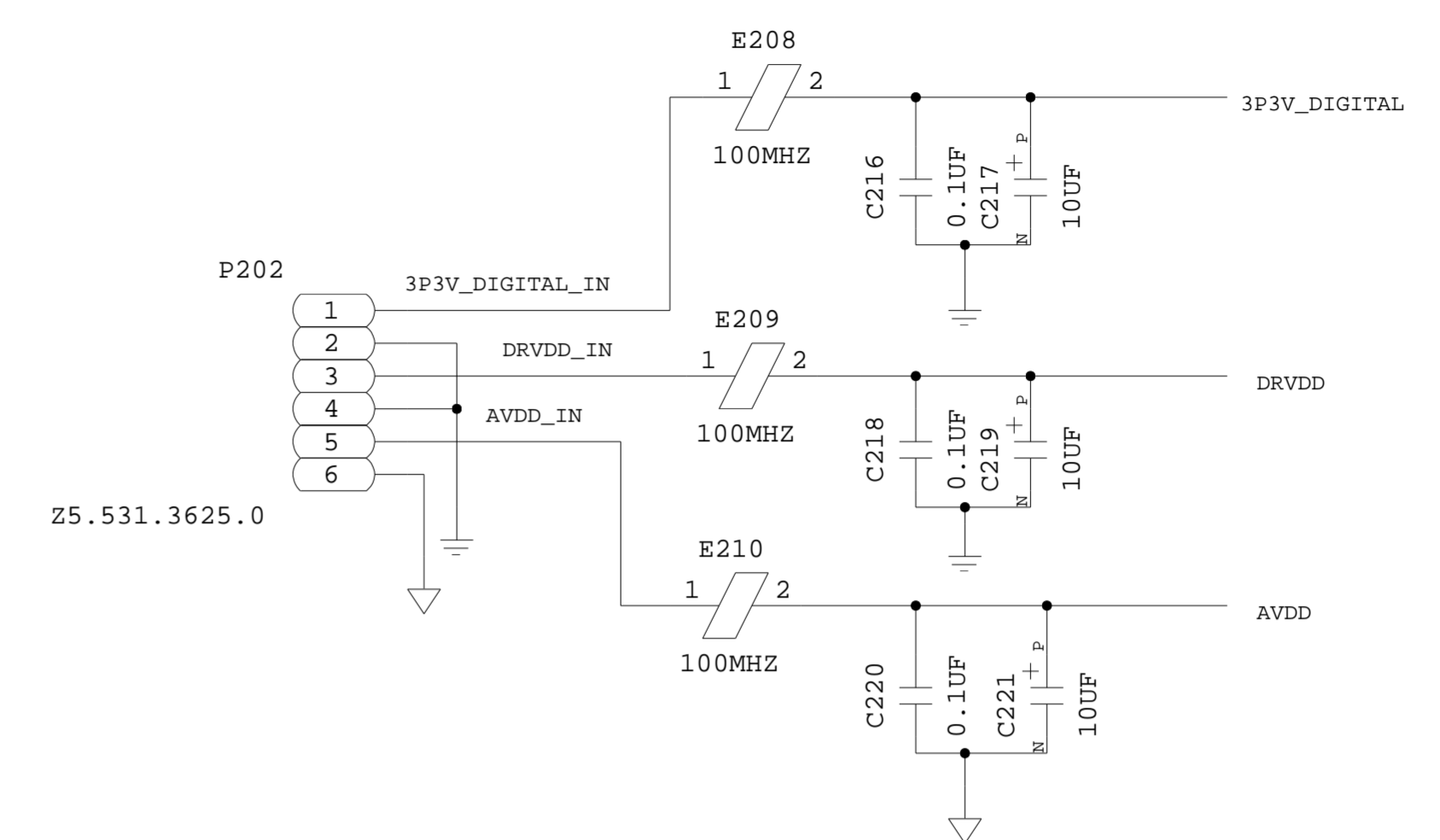
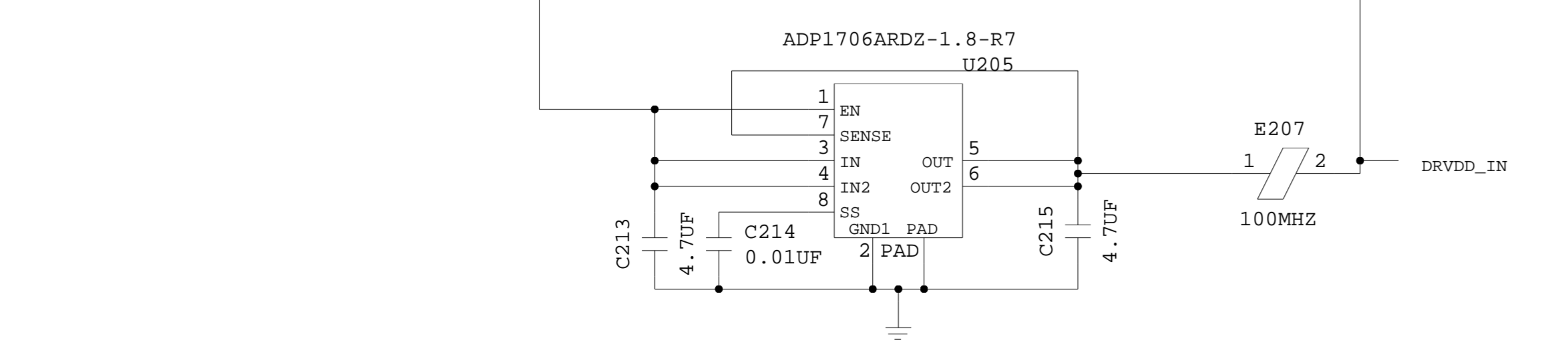
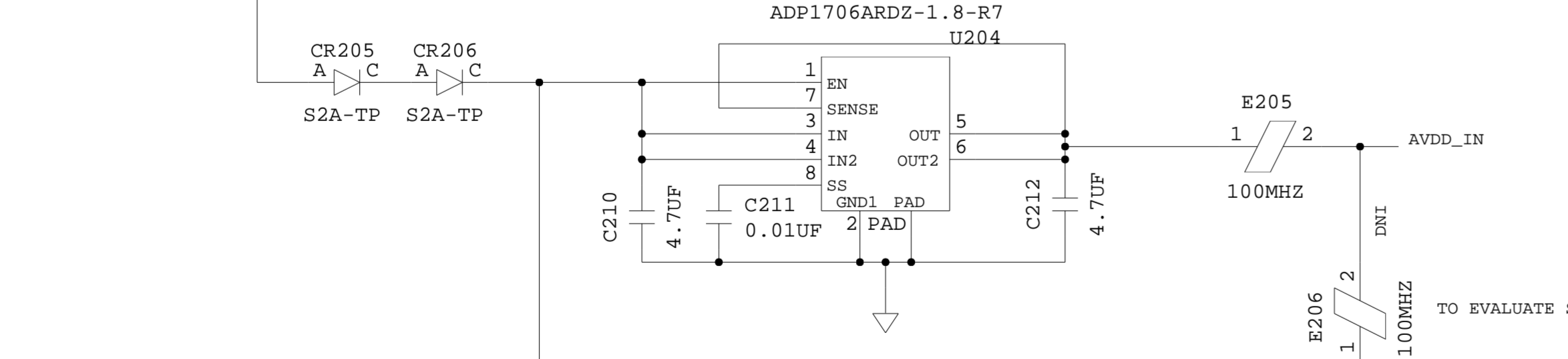
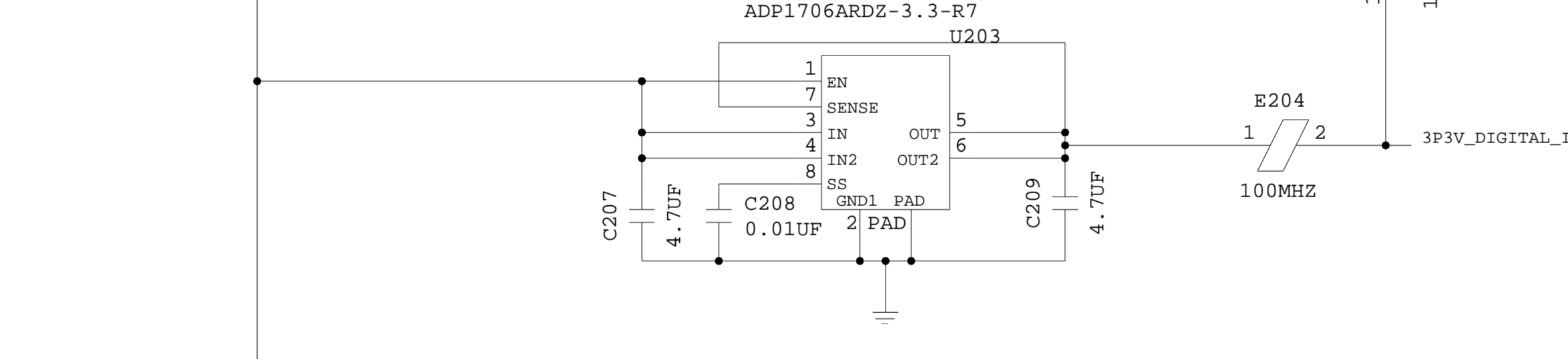
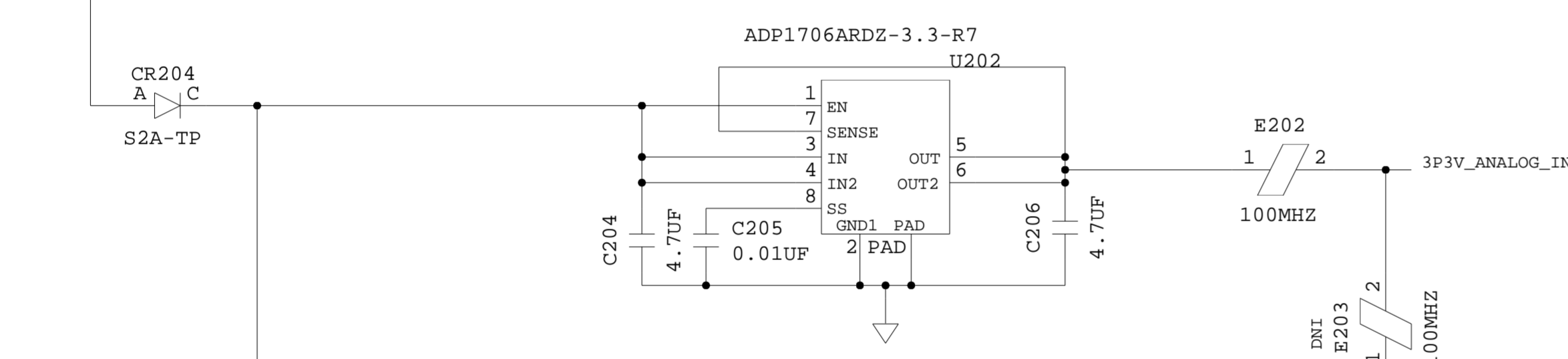
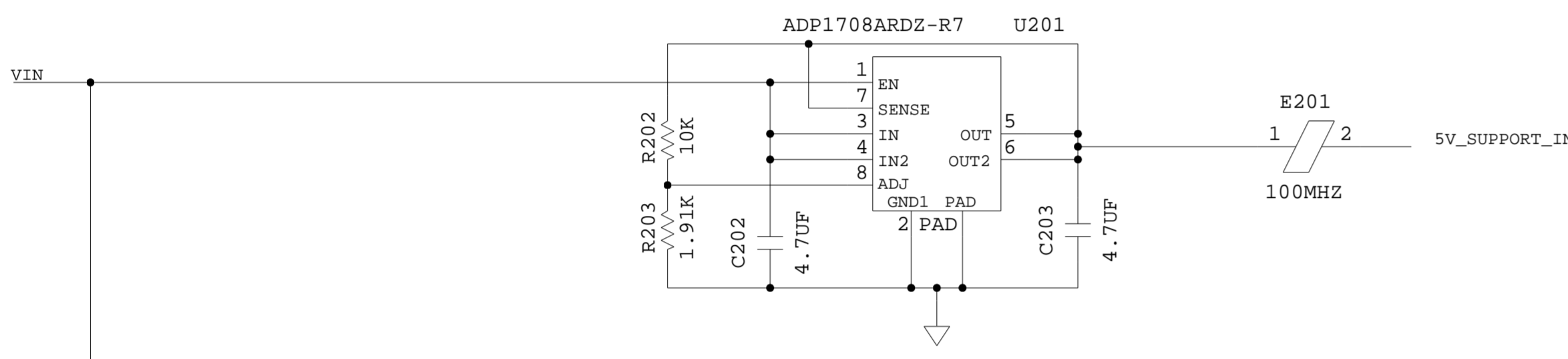
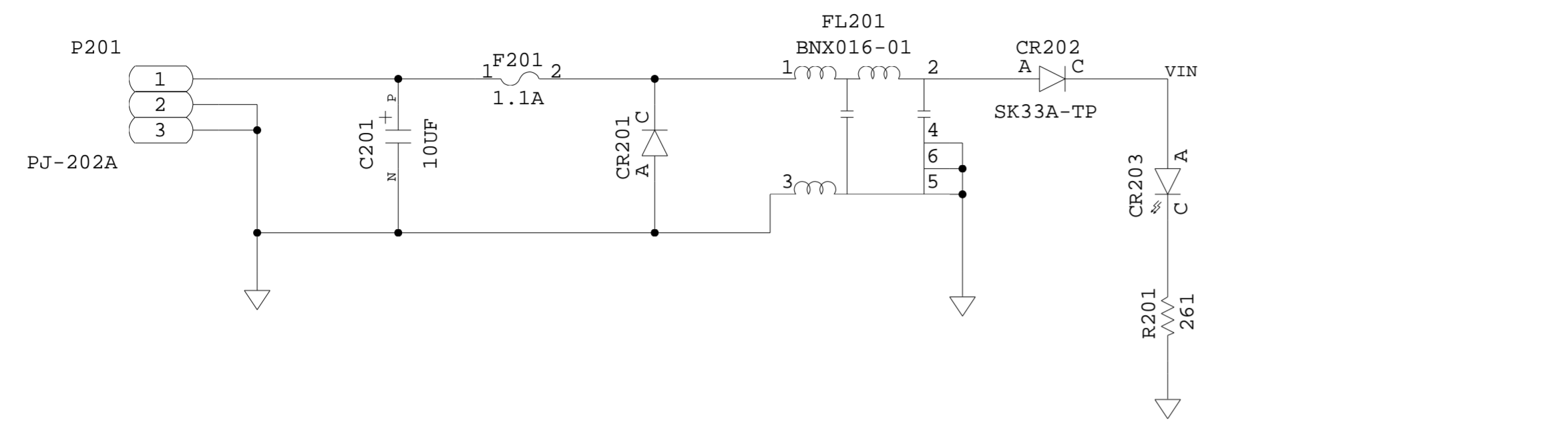
# DUT



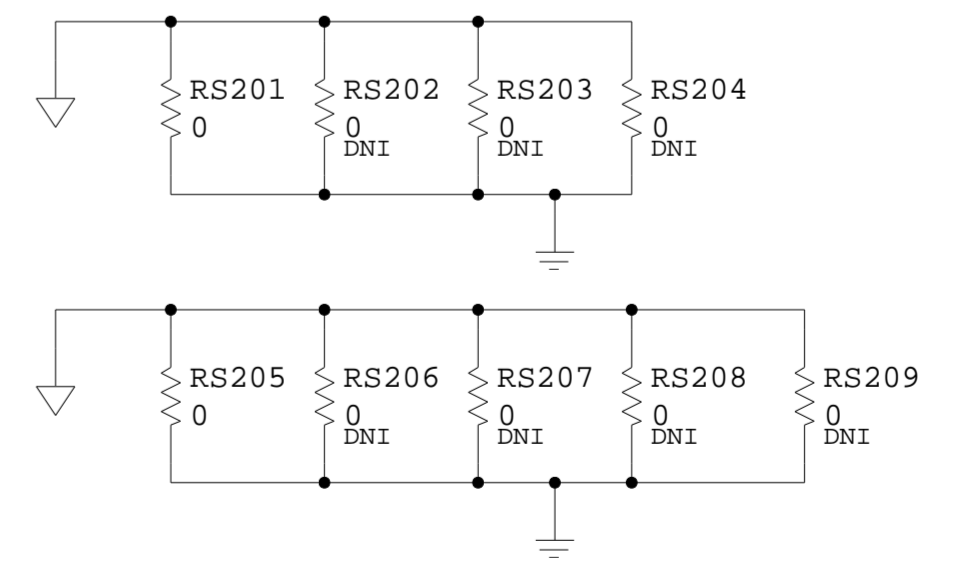
	SCHEMATIC		
	<DRAWING_TITLE_HEADER> AD6657 <PRODUCT_1>		
	DESIGN VIEW <DESIGN_VIEW>	DRAWING NO. 6657CE01	REV B
	PTD ENGINEER <PTD_ENGINEER>	SIZE D	SCALE -
		SHEET 1 OF 11	

# POWER

REVISIONS			
REV	DESCRIPTION	DATE	APPROVED



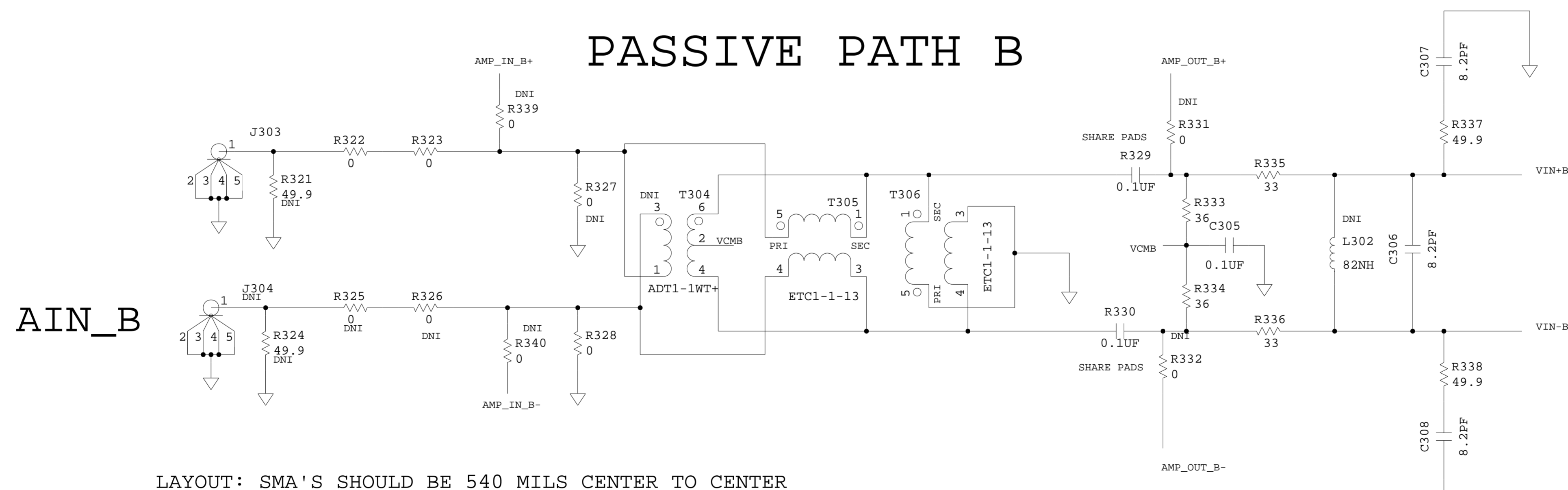
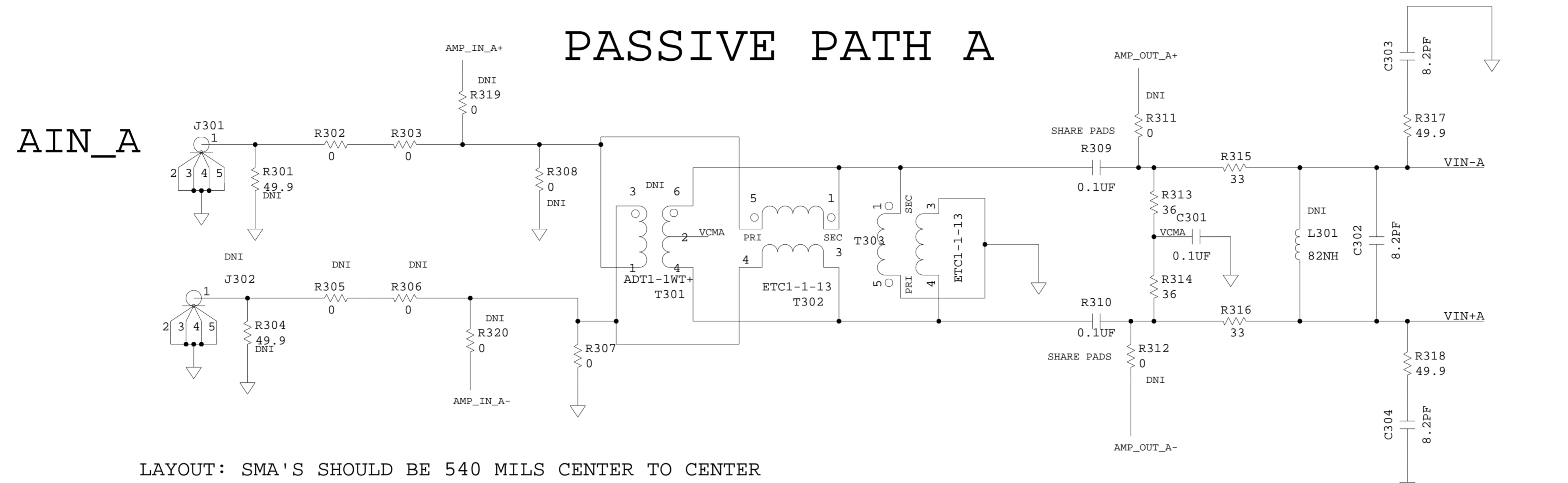
## GROUND PLANE TIES



ANALOG DEVICES				SCHEMATIC				
<small>THIS DRAWING IS THE PROPERTY OF ANALOG DEVICES INC. IT IS TO BE USED IN CONNECTION WITH THE PRODUCTS OR SERVICES OF ANALOG DEVICES. THE EQUIPMENT DESIGN HEREON MAY BE PROTECTED BY PATENTS OWNED OR CONTROLLED BY ANALOG DEVICES INC.</small>				<DRAWING_TITLE_HEADER> AD6657 <PRODUCT_1>		DRAWING NO. 6657CE01		REV B
				DESIGN VIEW <DESIGN_VIEW>		PTD ENGINEER <PTD_ENGINEER>		SIZE D

REVISIONS			
REV	DESCRIPTION	DATE	APPROVED

# ANALOG INPUT

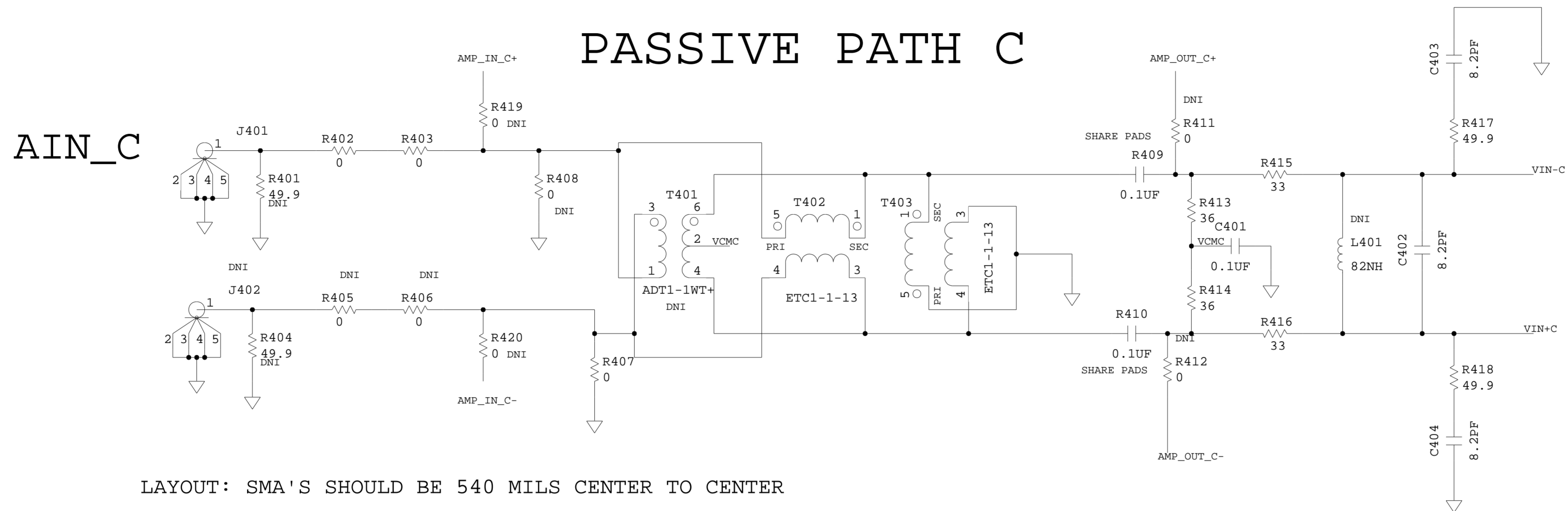


	<b>ANALOG DEVICES</b>			<b>SCHEMATIC</b>		
	<DRAWING_TITLE_HEADER>					
	AD6657 <PRODUCT_1>					
	DESIGN VIEW <DESIGN_VIEW>			DRAWING NO. 6657CE01		REV B
PTD ENGINEER <PTD_ENGINEER>			SIZE D	SCALE -	SHEET 3 OF 11	

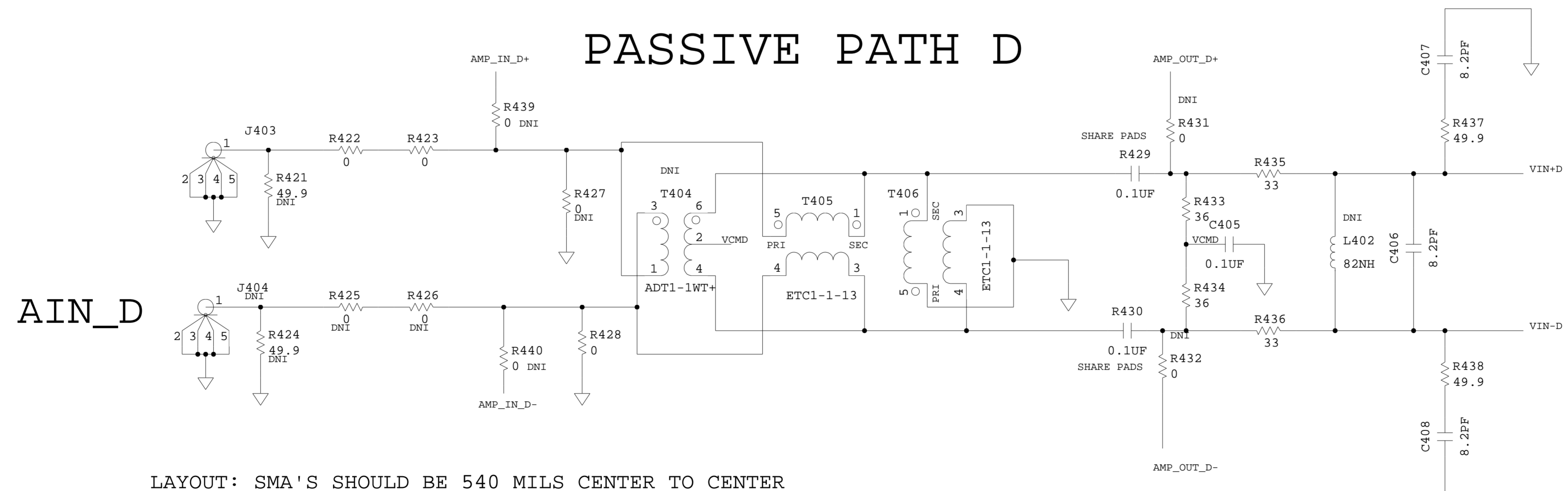
REVISIONS			
REV	DESCRIPTION	DATE	APPROVED

# ANALOG INPUT

## PASSIVE PATH C



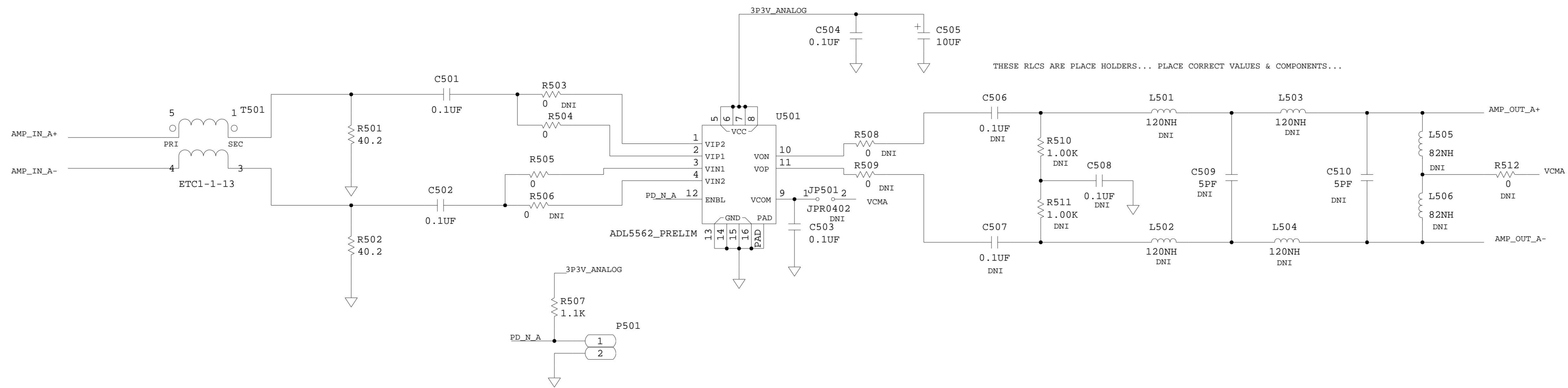
## PASSIVE PATH D



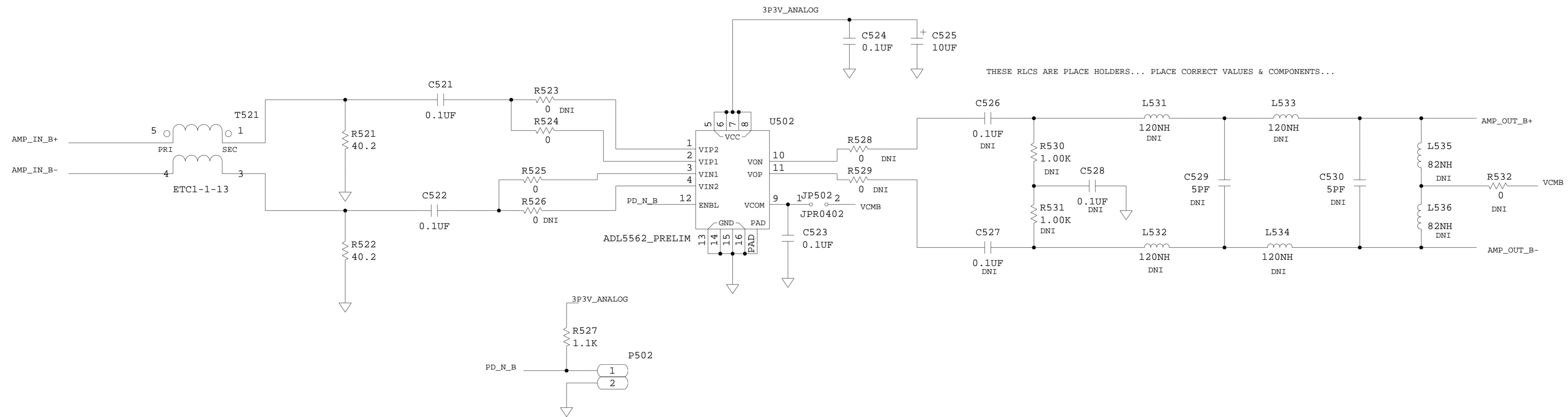
	SCHEMATIC		
	<DRAWING_TITLE_HEADER>		
	AD657		
	<PRODUCT_1>		
DESIGN VIEW	DRAWING NO.		REV
<DESIGN_VIEW>	6657CE01		B
PTD ENGINEER	SIZE	SCALE	SHEET 4 OF 11
<PTD_ENGINEER>	D	-	

REVISIONS			
REV	DESCRIPTION	DATE	APPROVED

## ACTIVE PATH - CHANNEL A



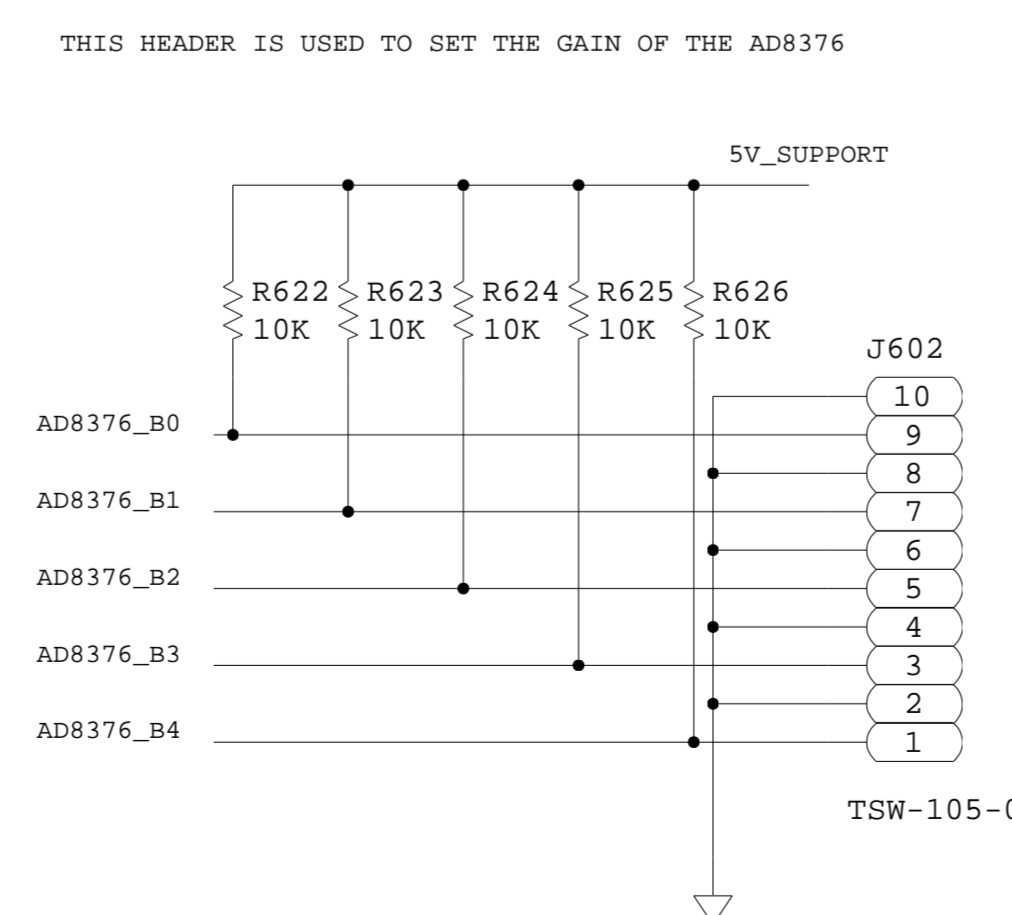
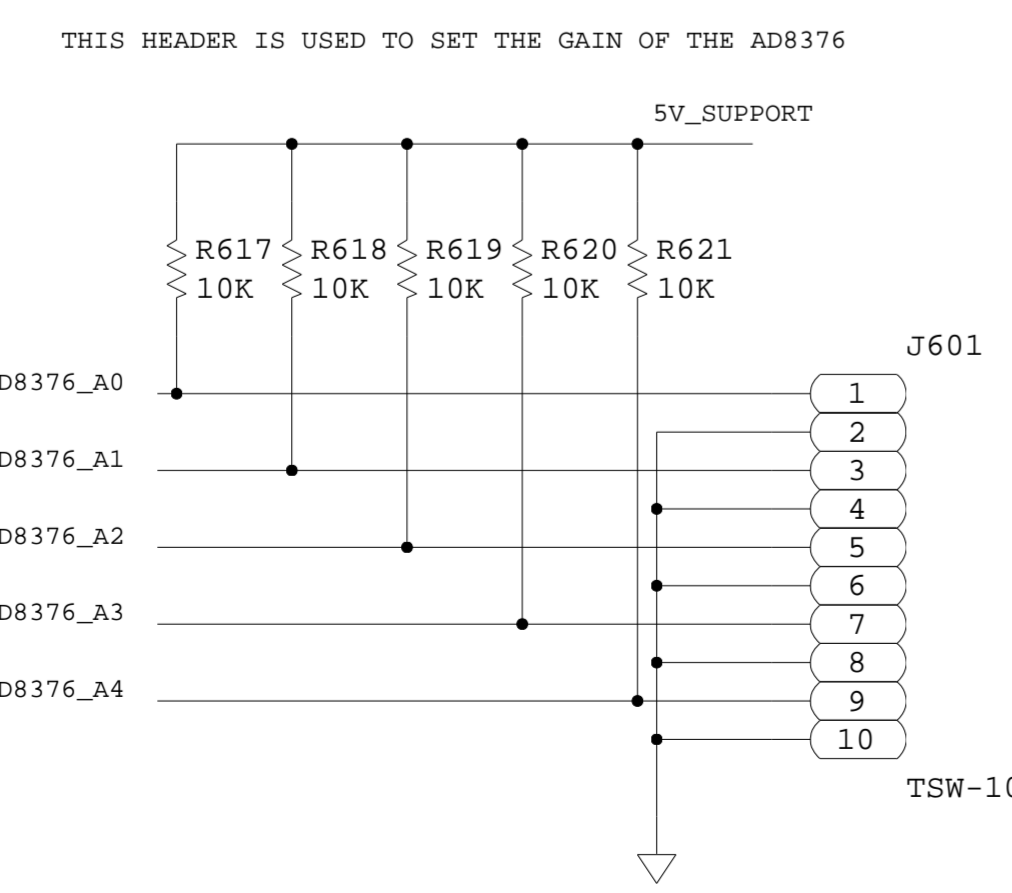
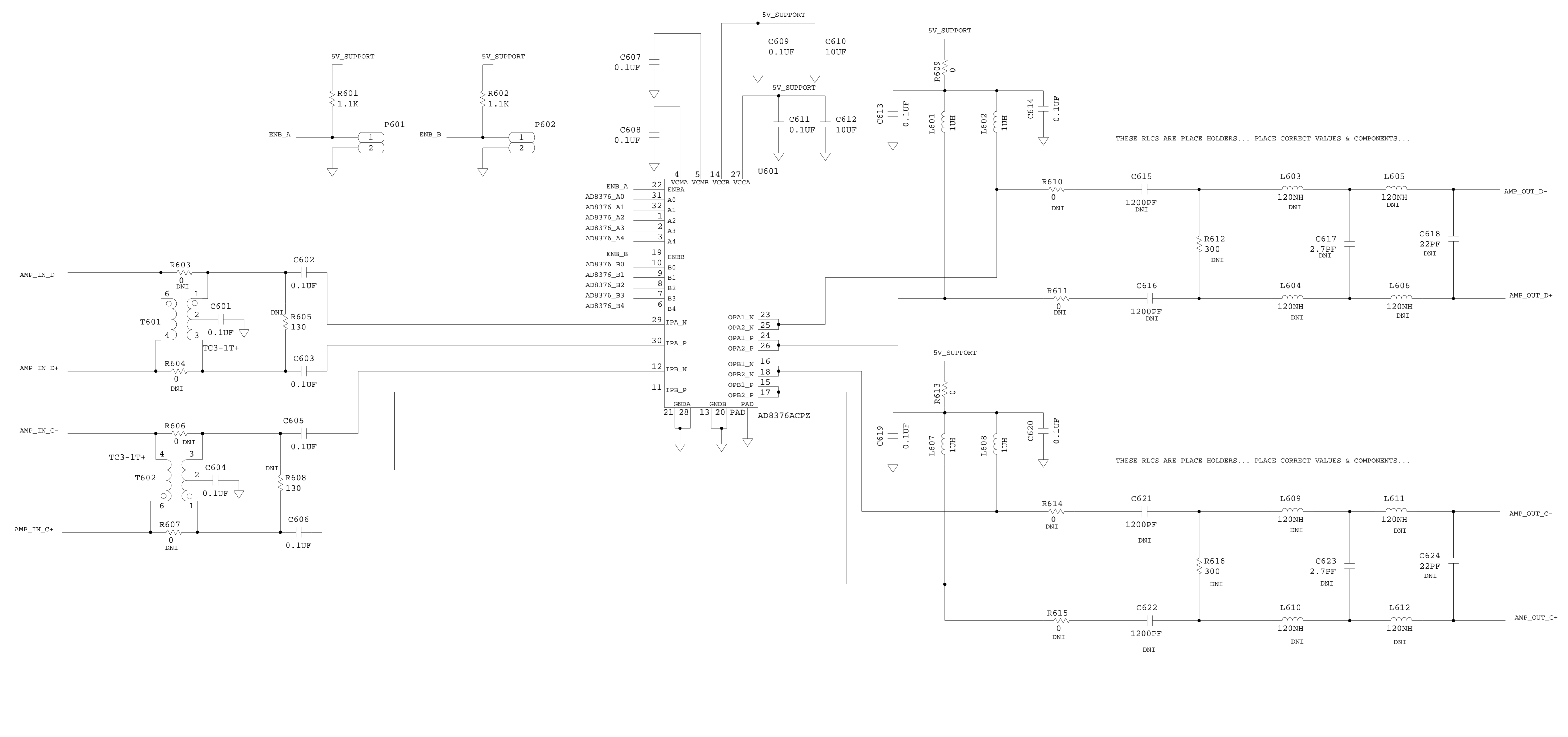
## ACTIVE PATH - CHANNEL B



	SCHEMATIC		
	<DRAWING_TITLE_HEADER>		
	AD6657		
	<PRODUCT_1>		
DESIGN VIEW	DRAWING NO.	REV	
<DESIGN_VIEW>	6657CE01	B	
PTD ENGINEER	SIZE	SCALE	
<PTD_ENGINEER>	D	-	SHEET 5 OF 11

REVISIONS			
REV	DESCRIPTION	DATE	APPROVED

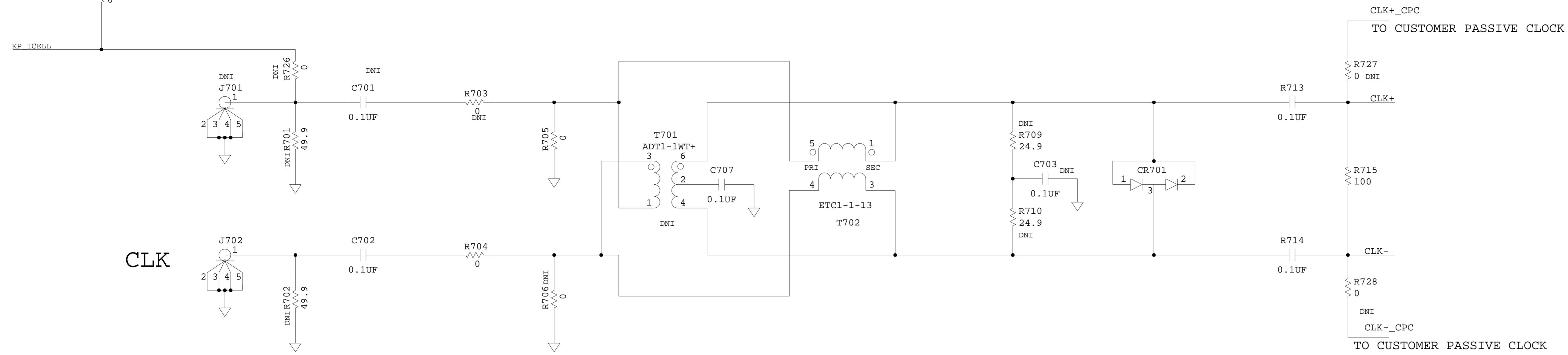
# ACTIVE PATH - CHANNEL C AND D



	<b>SCHEMATIC</b>		
	<DRAWING_TITLE_HEADER>		
	AD6657		
	<PRODUCT_1>		
DESIGN VIEW	DRAWING NO.	REV	
<DESIGN_VIEW>	6657CE01	B	
PTD ENGINEER	SIZE	SCALE	
<PTD_ENGINEER>	D	-	SHEET 6 OF 11

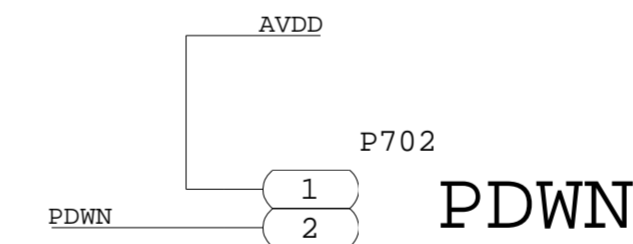
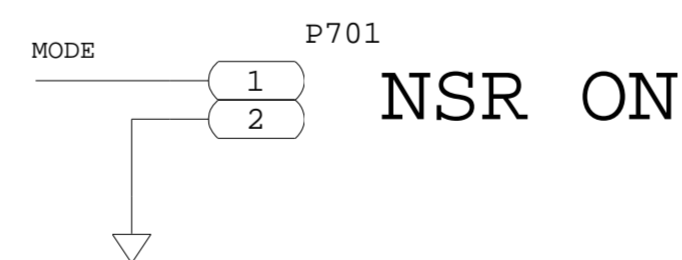
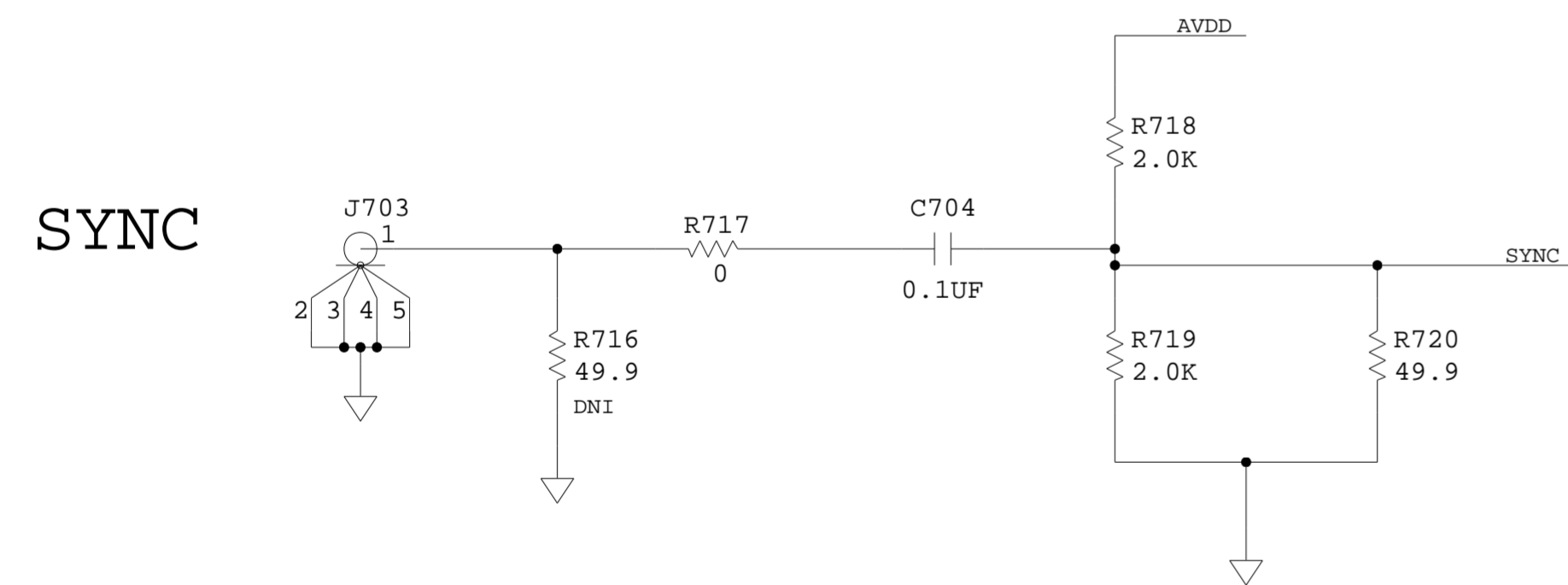
REVISIONS			
REV	DESCRIPTION	DATE	APPROVED

# MAIN PASSIVE CLOCK

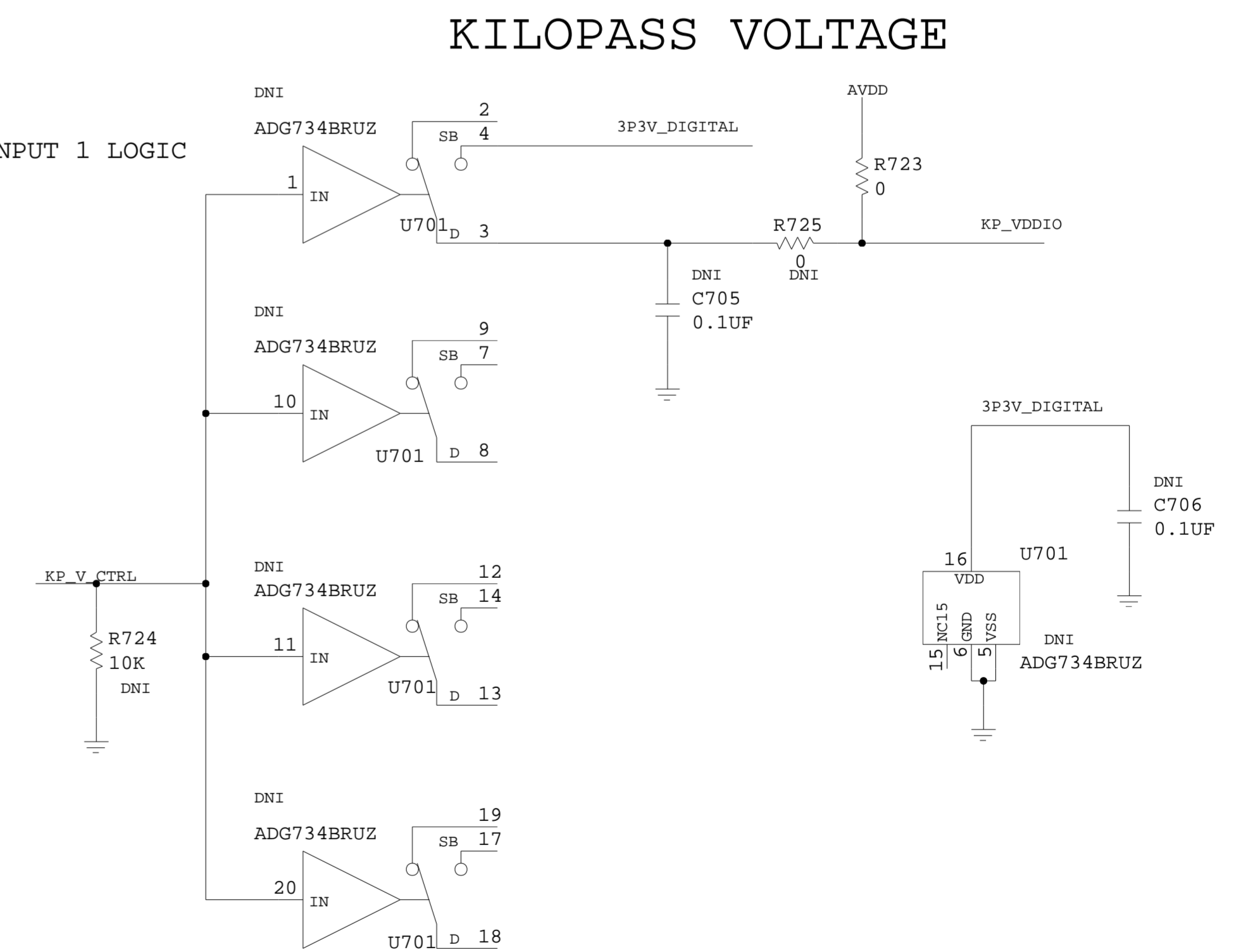


LAYOUT: SMA'S SHOULD BE 540 MILS CENTER TO CENTER

# MISC



NOTE: THIS SYMBOL IS DRAWN GIVEN INPUT 1 LOGIC

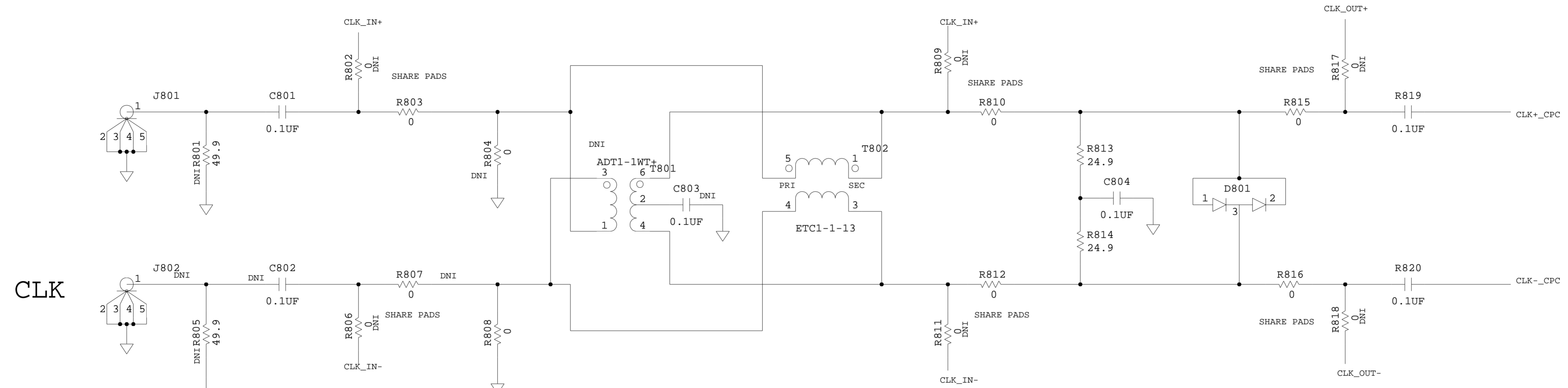


	SCHEMATIC		
	<DRAWING_TITLE_HEADER> AD6657 <PRODUCT_1>		
	DESIGN VIEW <DESIGN_VIEW>	DRAWING NO. 6657CE01	REV B
	PTD ENGINEER <PTD_ENGINEER>	SIZE D	SCALE -
		SHEET 7 OF 11	

8 7 6 5 4 3 2 1

REVISIONS			
REV	DESCRIPTION	DATE	APPROVED

# CUSTOMER PASSIVE CLOCK



LAYOUT: SMA'S SHOULD BE 540 MILS CENTER TO CENTER

D  
C  
B  
A

D  
C  
B  
A

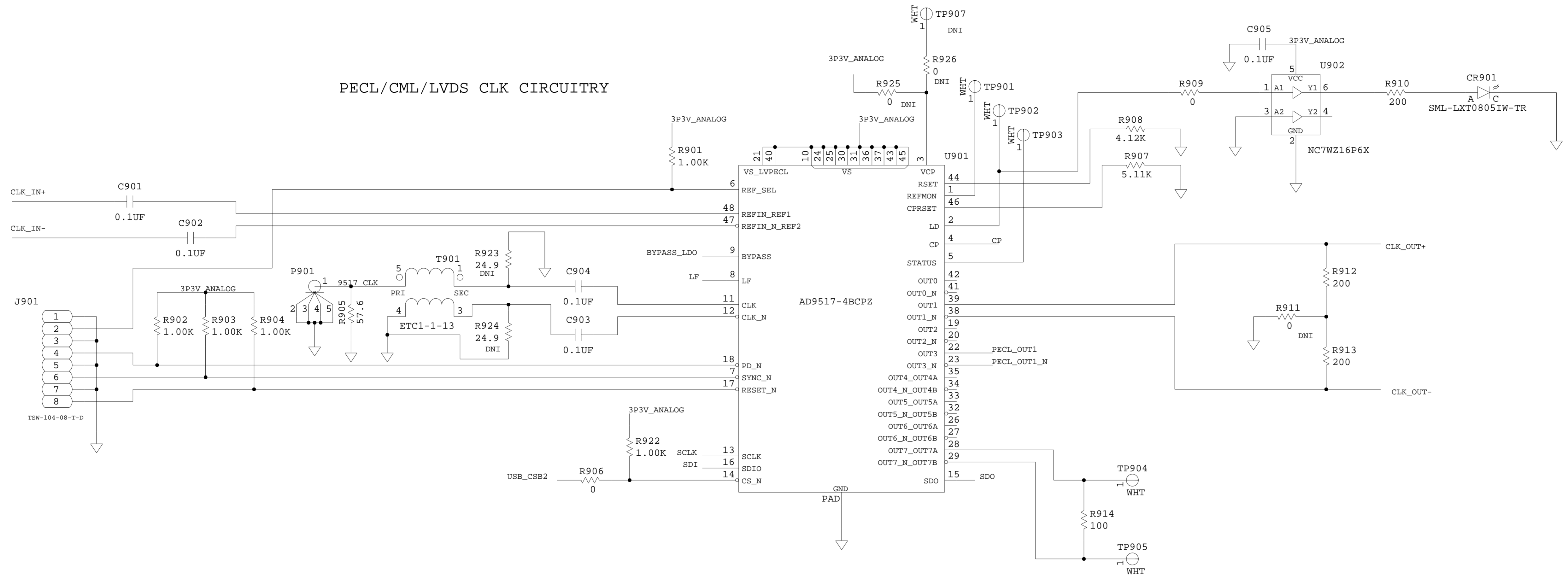
8 7 6 5 4 3 2 1

	SCHEMATIC			
	<DRAWING_TITLE_HEADER>			
	AD6657			
	<PRODUCT_1>			
DESIGN VIEW	DRAWING NO.		REV	
<DESIGN_VIEW>	6657CE01		B	
PTD ENGINEER	SIZE	SCALE	SHEET 8 OF 11	
<PTD_ENGINEER>	D	-		



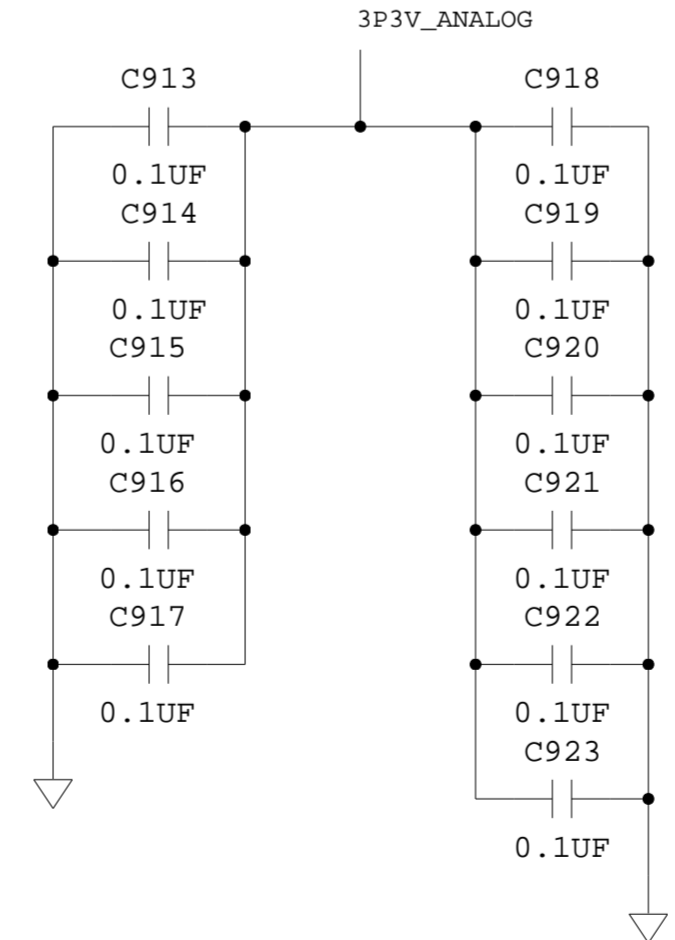
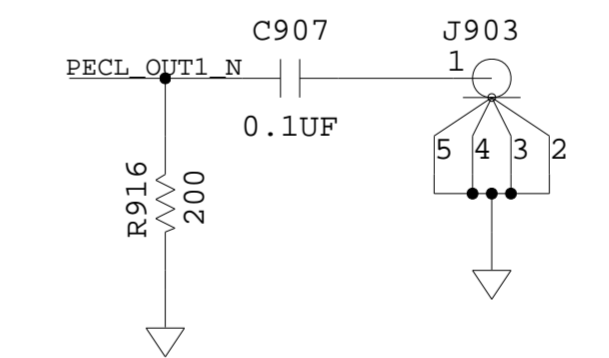
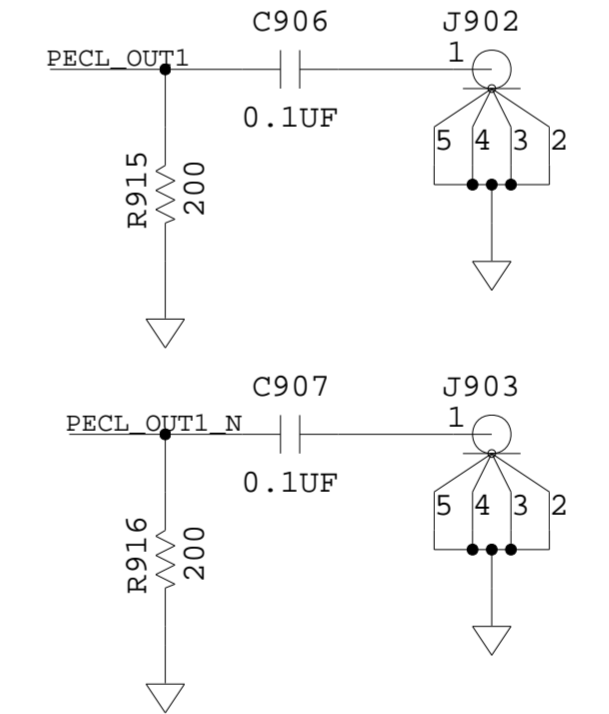
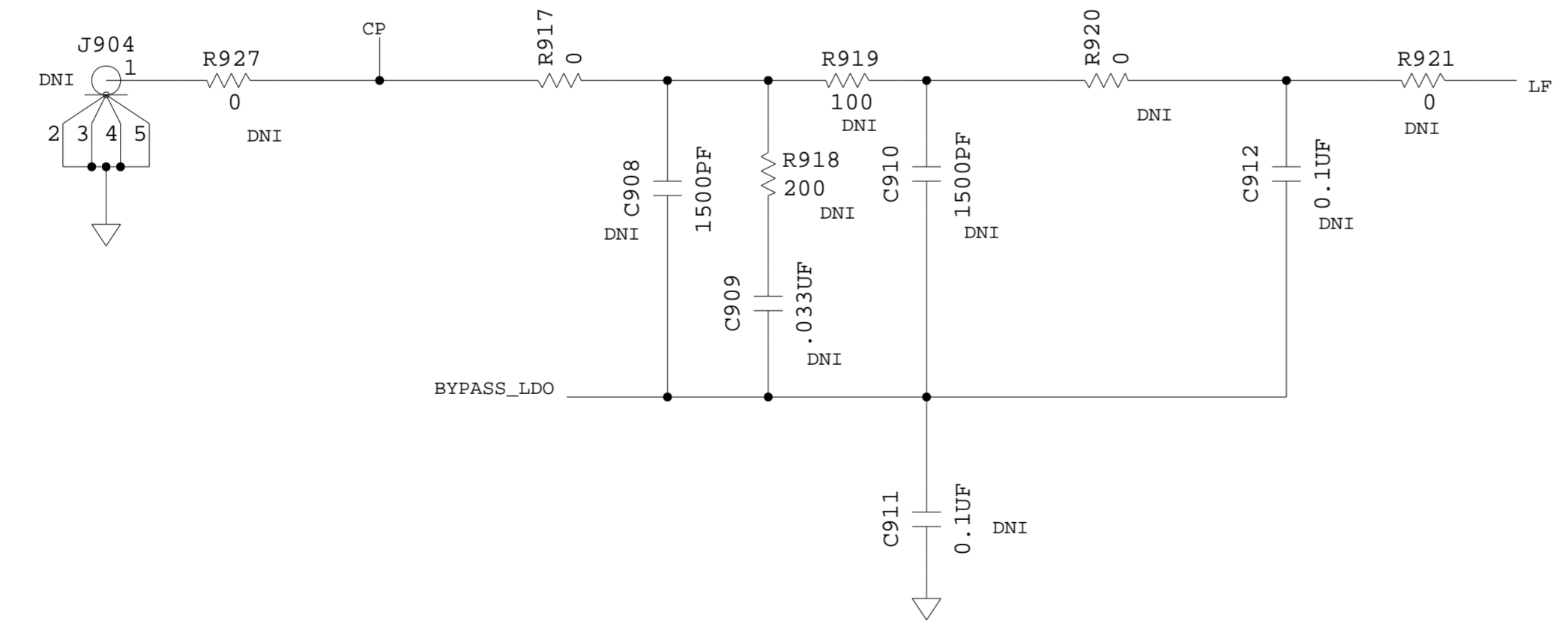
REVISIONS			
REV	DESCRIPTION	DATE	APPROVED

# ACTIVE CLOCK PATH



PECL/CML/LVDS CLK CIRCUITRY

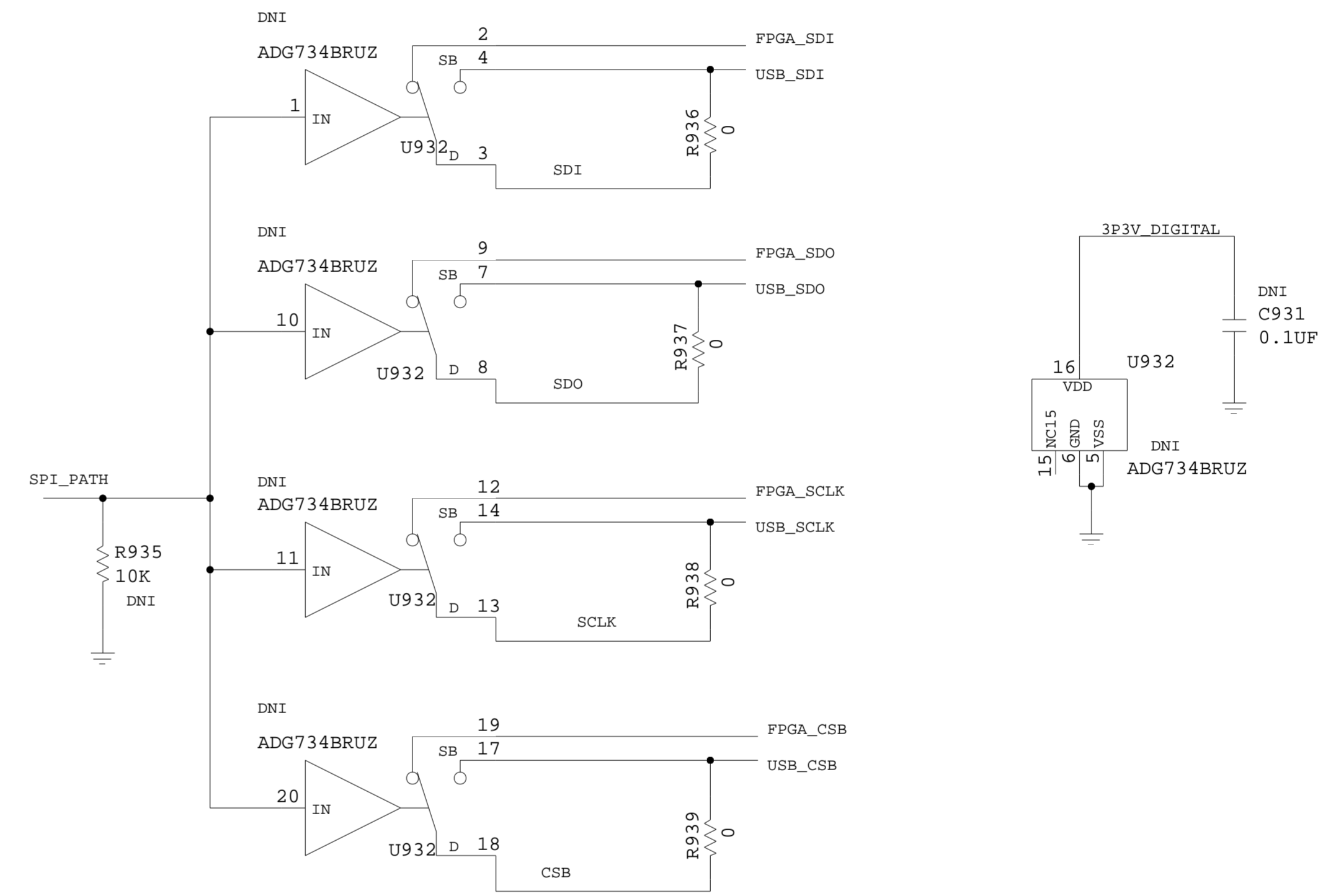
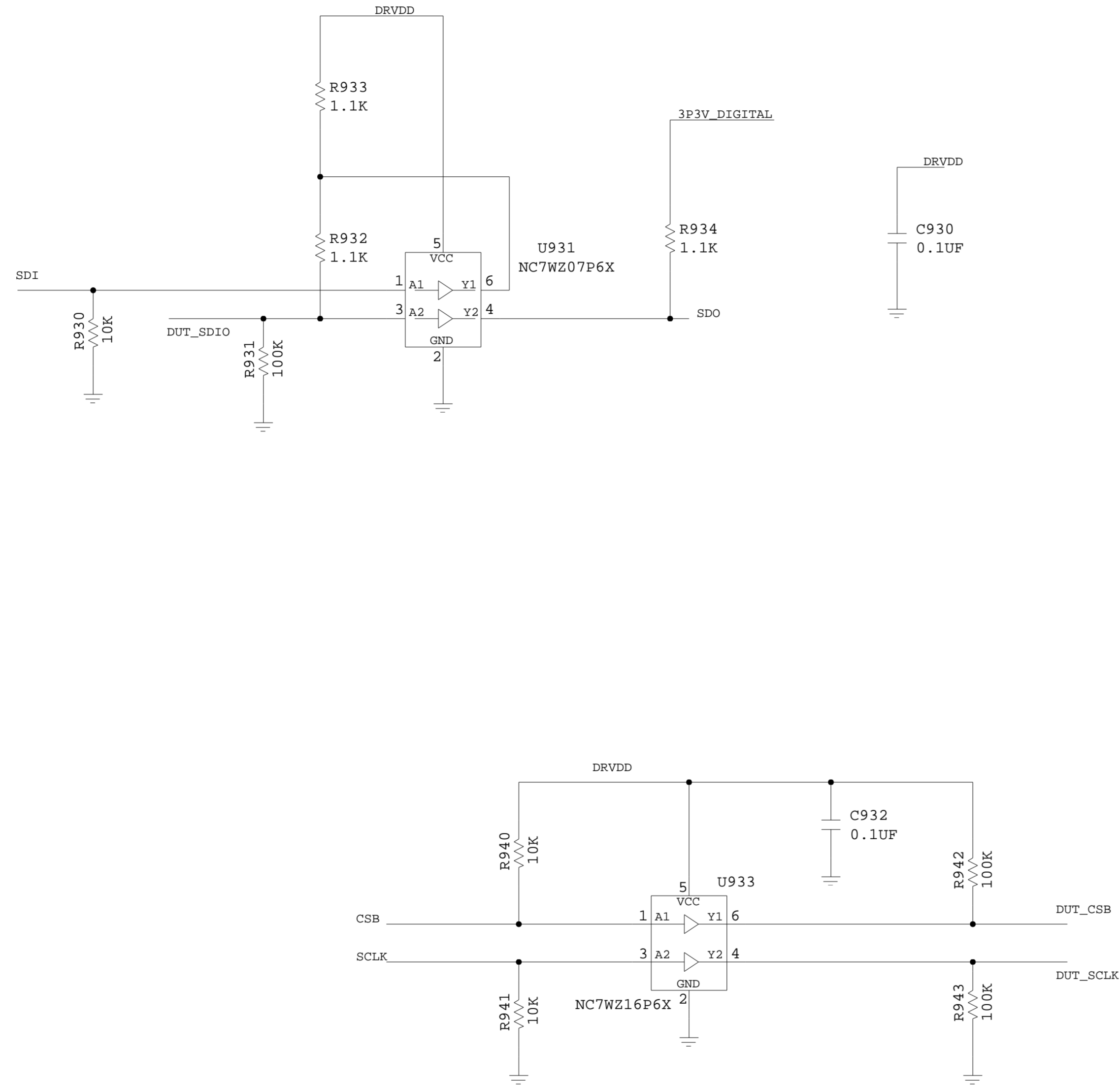
CHARGE PUMP FILTER



	SCHEMATIC		
	<DRAWING_TITLE_HEADER>		
	AD6657		
	<PRODUCT_1>		
DESIGN VIEW	DRAWING NO.	REV	
<DESIGN_VIEW>	6657CE01	B	
PTD ENGINEER	SIZE	SCALE	
<PTD_ENGINEER>	D	-	SHEET 9 OF 11

REVISIONS			
REV	DESCRIPTION	DATE	APPROVED

# SPI

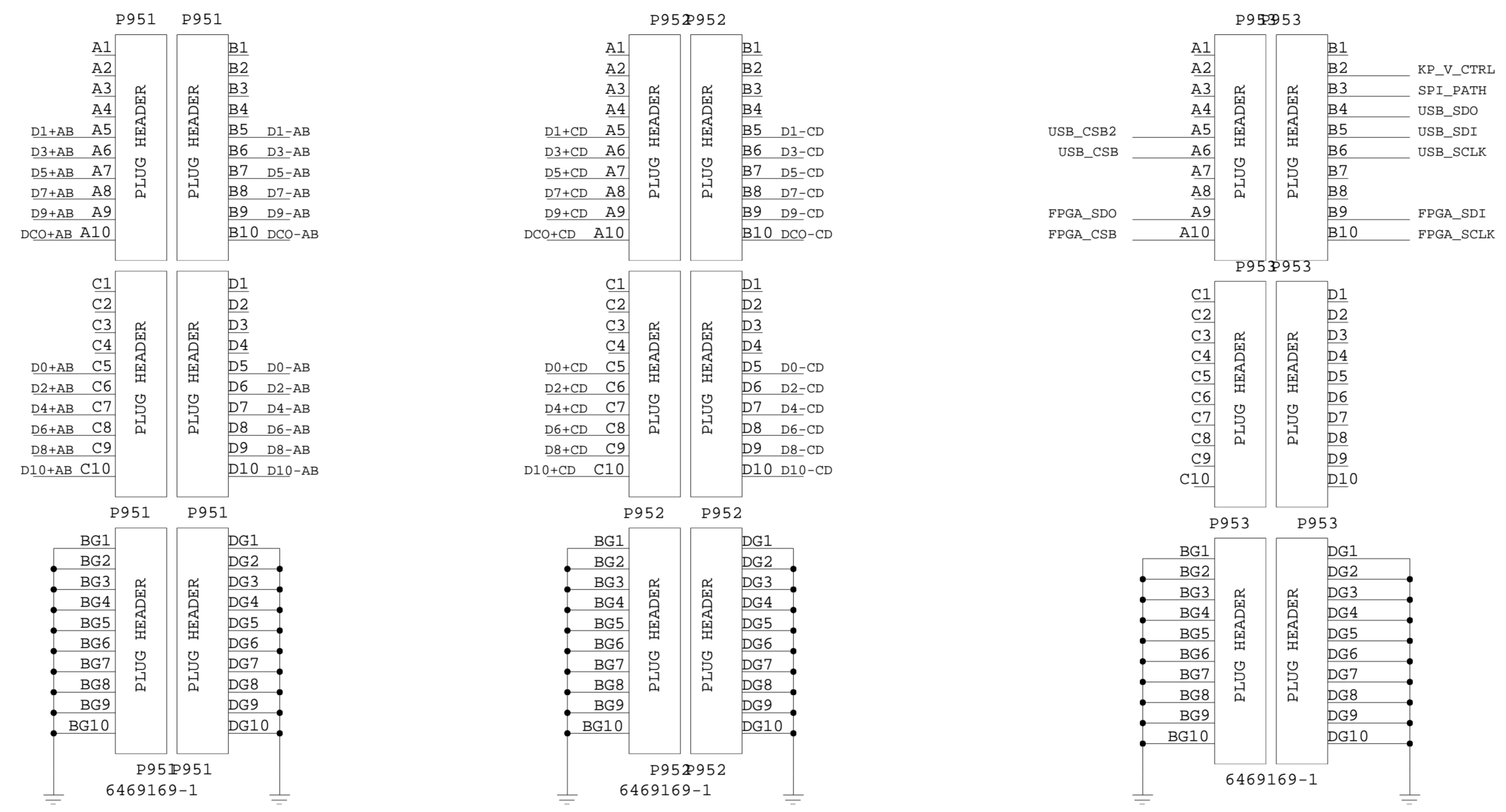


NOTE: THIS SYMBOL IS DRAWN GIVEN INPUT 1 LOGIC

	SCHEMATIC		
	<DRAWING_TITLE_HEADER>		
	AD6657		
	<PRODUCT_1>		
DESIGN VIEW	DRAWING NO.	REV	
<DESIGN_VIEW>	6657CE01	B	
PTD ENGINEER	SIZE	SCALE	SHEET 10 OF 11
<PTD_ENGINEER>	D	-	

REVISIONS			
REV	DESCRIPTION	DATE	APPROVED

# FIFO5 CONNECTION



	SCHEMATIC		
	<DRAWING_TITLE_HEADER>		
	AD6657		
	<PRODUCT_1>		
DESIGN VIEW	DRAWING NO.	REV	
<DESIGN_VIEW>	6657CE01	B	
PTD ENGINEER	SIZE	SCALE	SHEET 11 OF 11
<PTD_ENGINEER>	D	-	