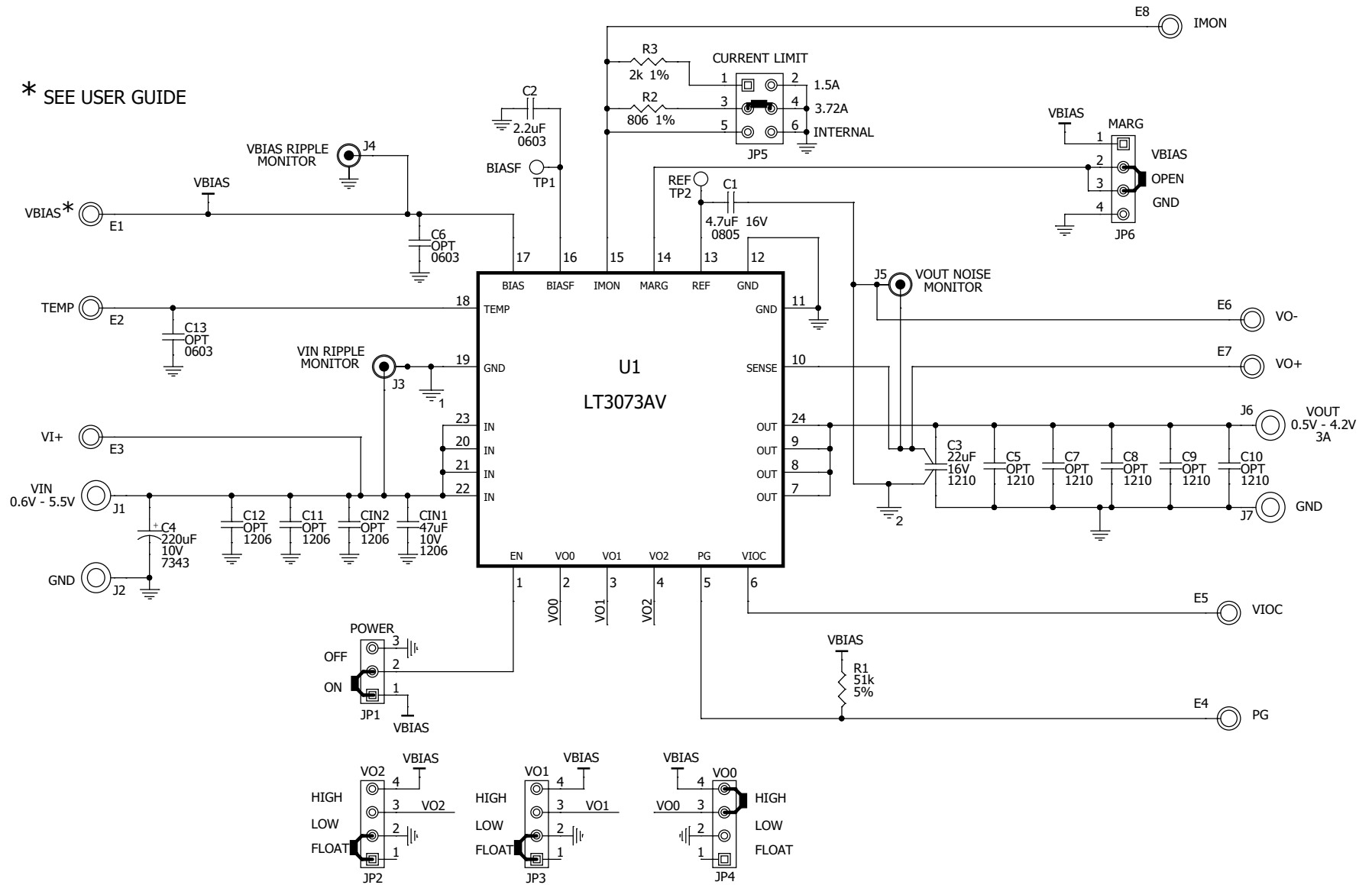


* SEE USER GUIDE



NOTE: ALL RESISTORS ARE 0603

CUSTOMER NOTICE

ANALOG DEVICES HAS MADE A BEST EFFORT TO DESIGN A CIRCUIT THAT MEETS CUSTOMER-SUPPLIED SPECIFICATIONS; HOWEVER, IT REMAINS THE CUSTOMER'S RESPONSIBILITY TO VERIFY PROPER AND RELIABLE OPERATION IN THE ACTUAL APPLICATION. COMPONENT SUBSTITUTION AND PRINTED CIRCUIT BOARD LAYOUT MAY SIGNIFICANTLY AFFECT CIRCUIT PERFORMANCE OR RELIABILITY. CONTACT ANALOG DEVICES APPLICATIONS ENGINEERING FOR ASSISTANCE.

THIS CIRCUIT IS PROPRIETARY TO ANALOG DEVICES AND SUPPLIED FOR USE WITH ANALOG DEVICES PARTS.

APPROVALS

PCB DES.	
APP ENG.	



TITLE: SCHEMATIC
3A, ULTRALOW NOISE, HIGH PSRR, 45mV DROPOUT
ULTRAFast LINEAR REGULATOR

IC NO. LT3073AV	SCHEMATIC NO. AND REVISION: 710-EVAL-LT3073-AZ_REV03
SKU NO. EVAL-LT3073-AZ	

SIZE: N/A	DATE: Thursday, September 29, 2022	SHEET 1 OF 1
-----------	------------------------------------	--------------