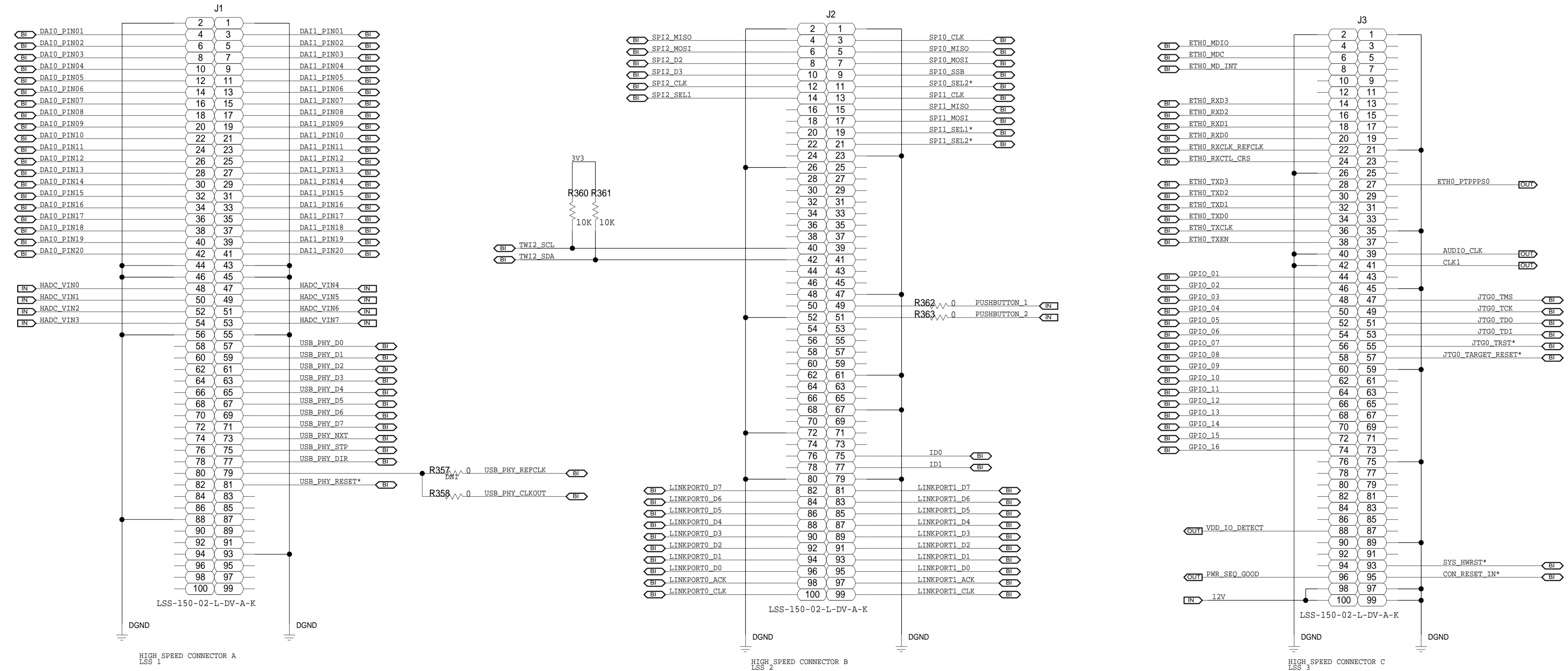




# SOM INTERFACE

REVISIONS			
REV	DESCRIPTION	DATE	APPROVED



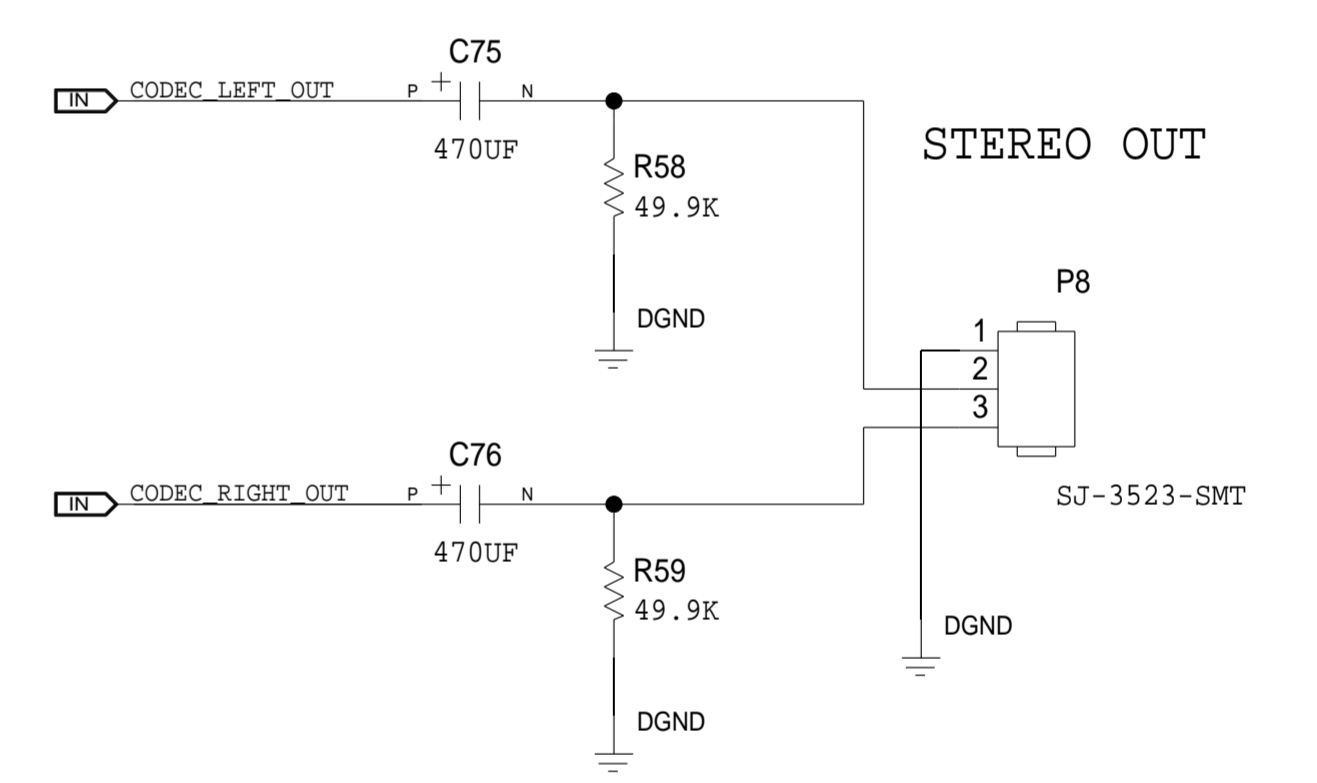
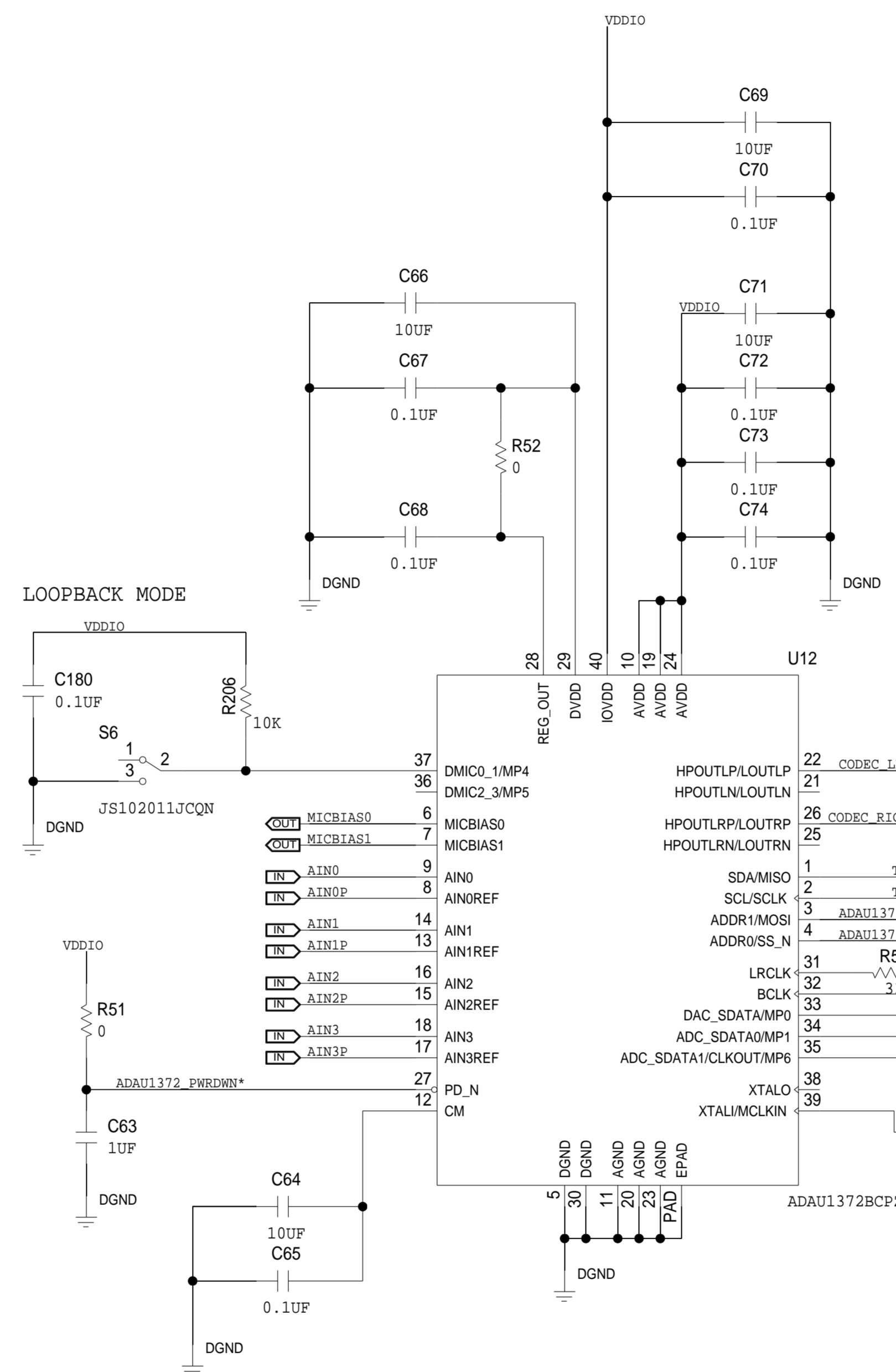
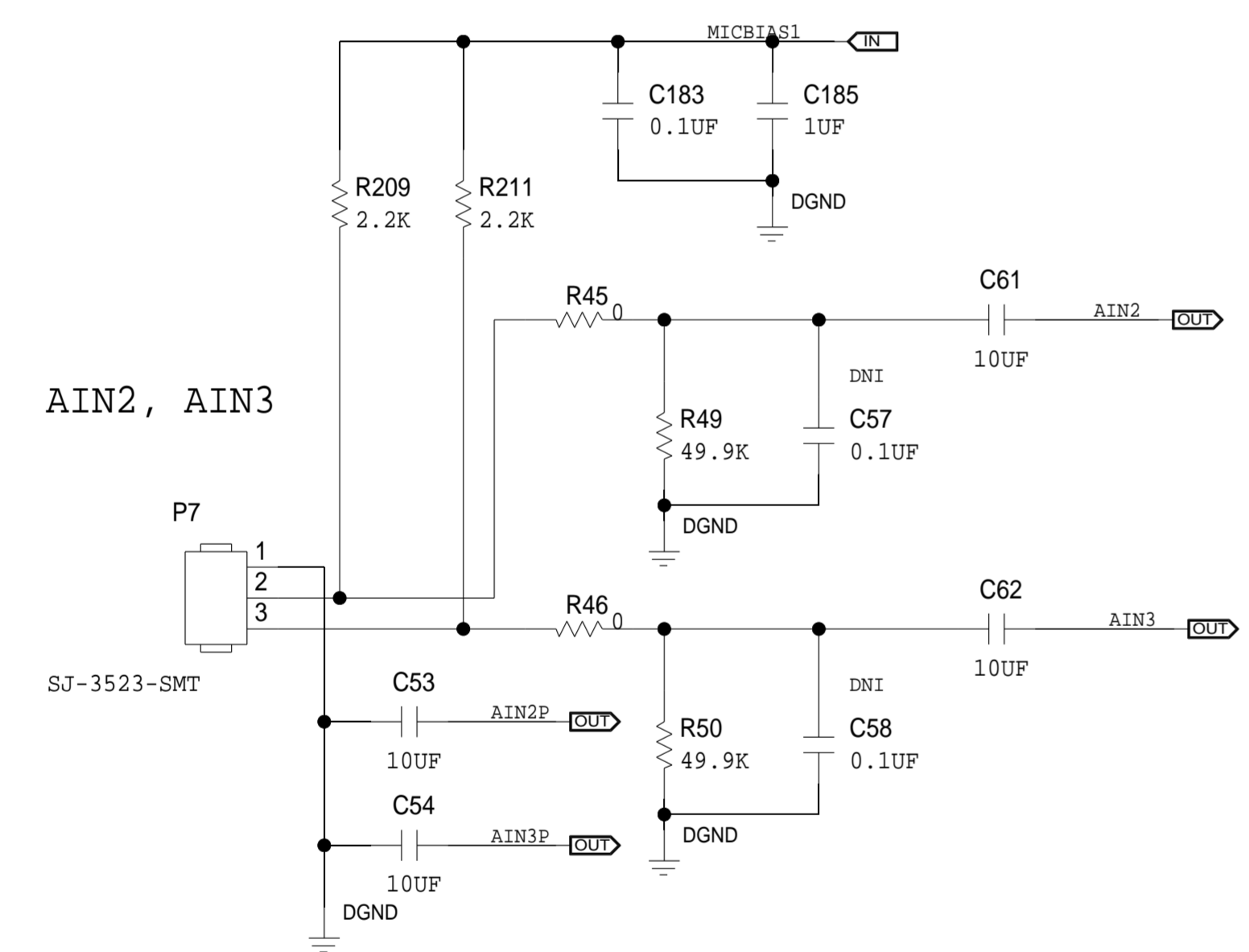
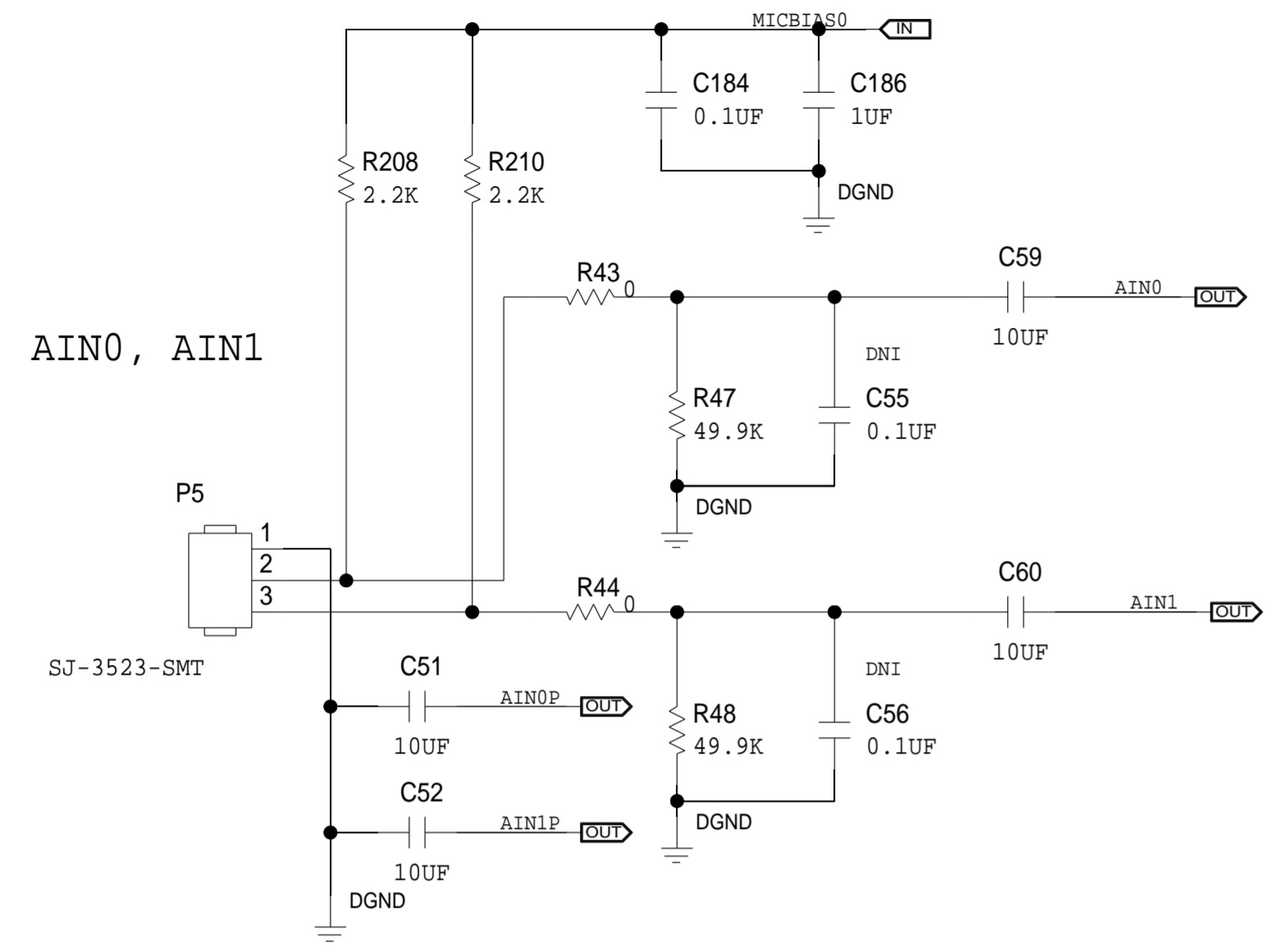
CONNECTORS NEED TO BE THE PICK AND PLACE (-K) AND PLACED BY MACHINE

SCHEMATIC			
		HW TYPE : Customer Evaluation Z Product(s) : SOM Carrier	
DESIGN VIEW <DESIGN_VIEW>		DRAWING NO. 02_070361	
PTD ENGINEER D. HARRINGTON		SIZE D	SCALE 1:1
		SHEET 2 OF 13	

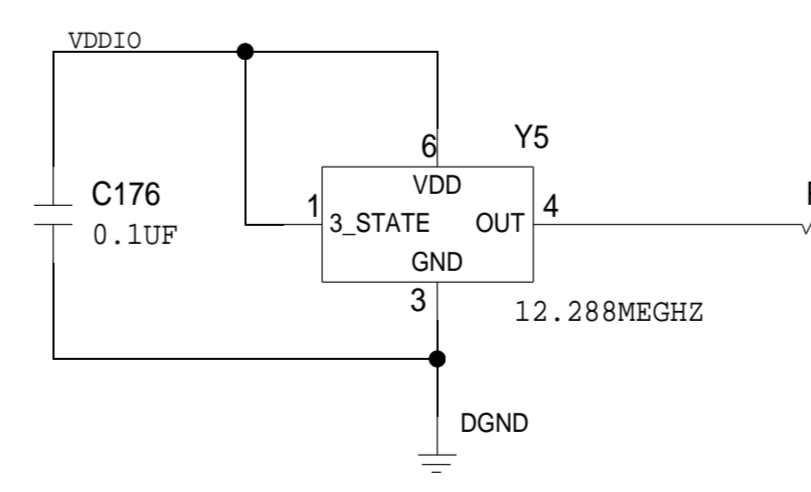
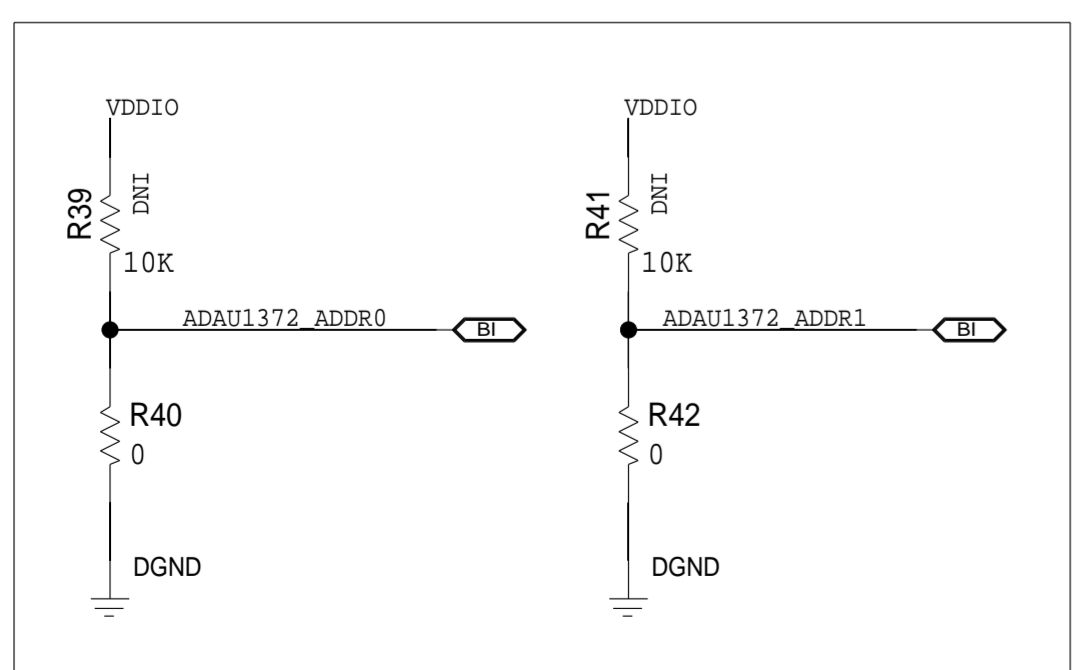


# ADAU1372 CODEC

REVISIONS			
REV	DESCRIPTION	DATE	APPROVED



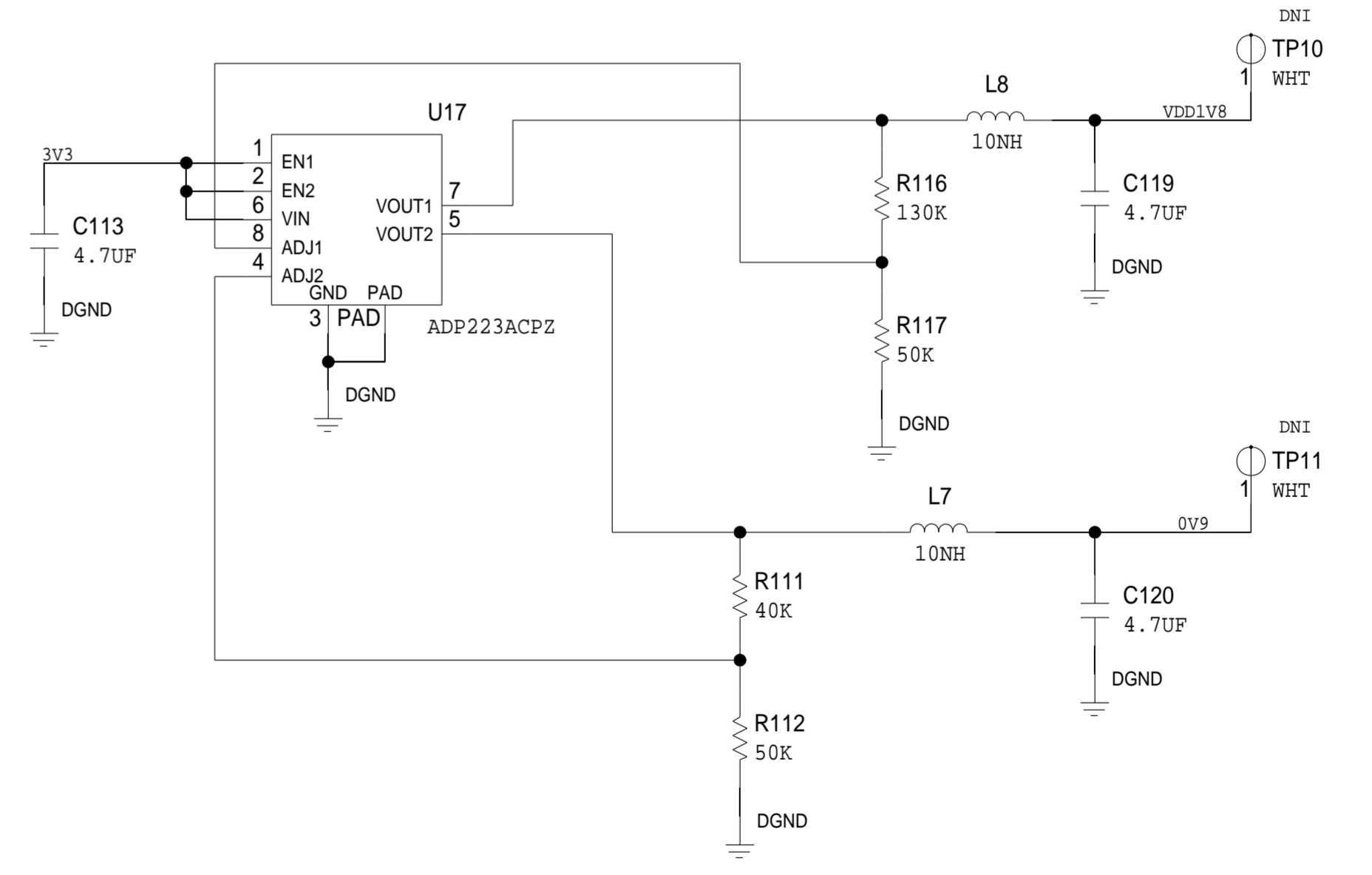
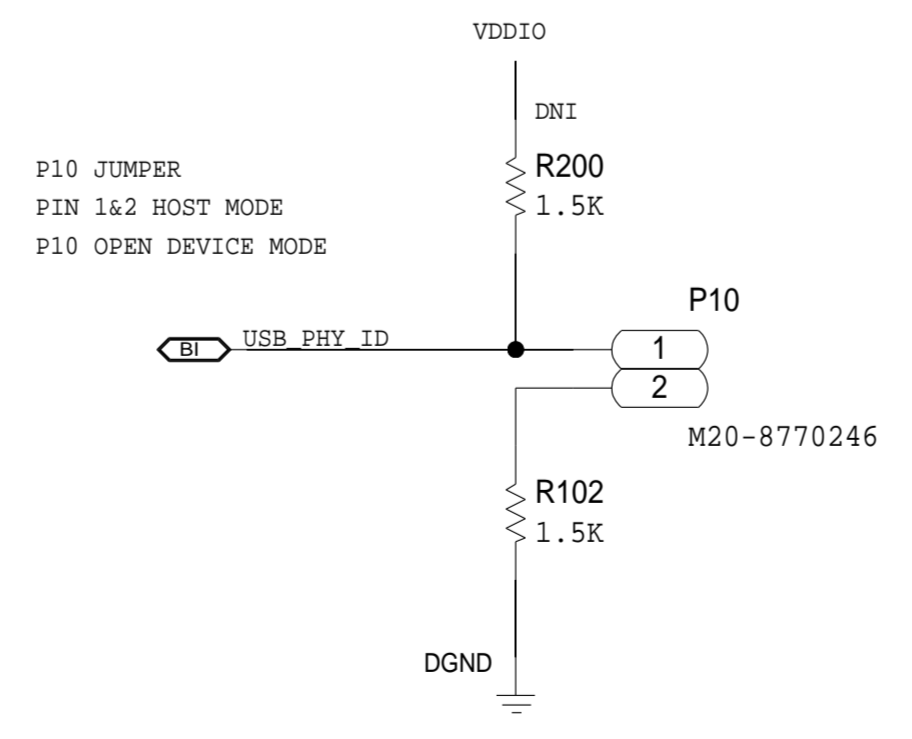
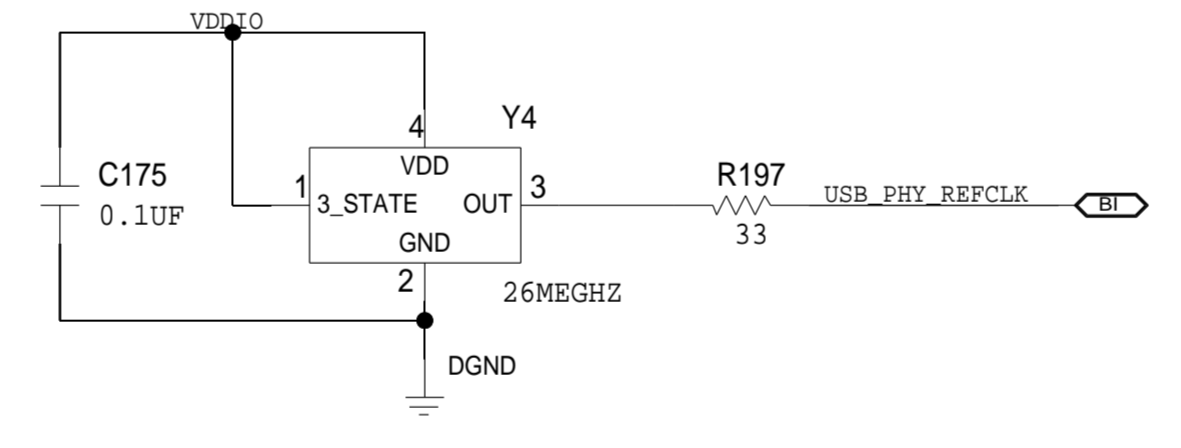
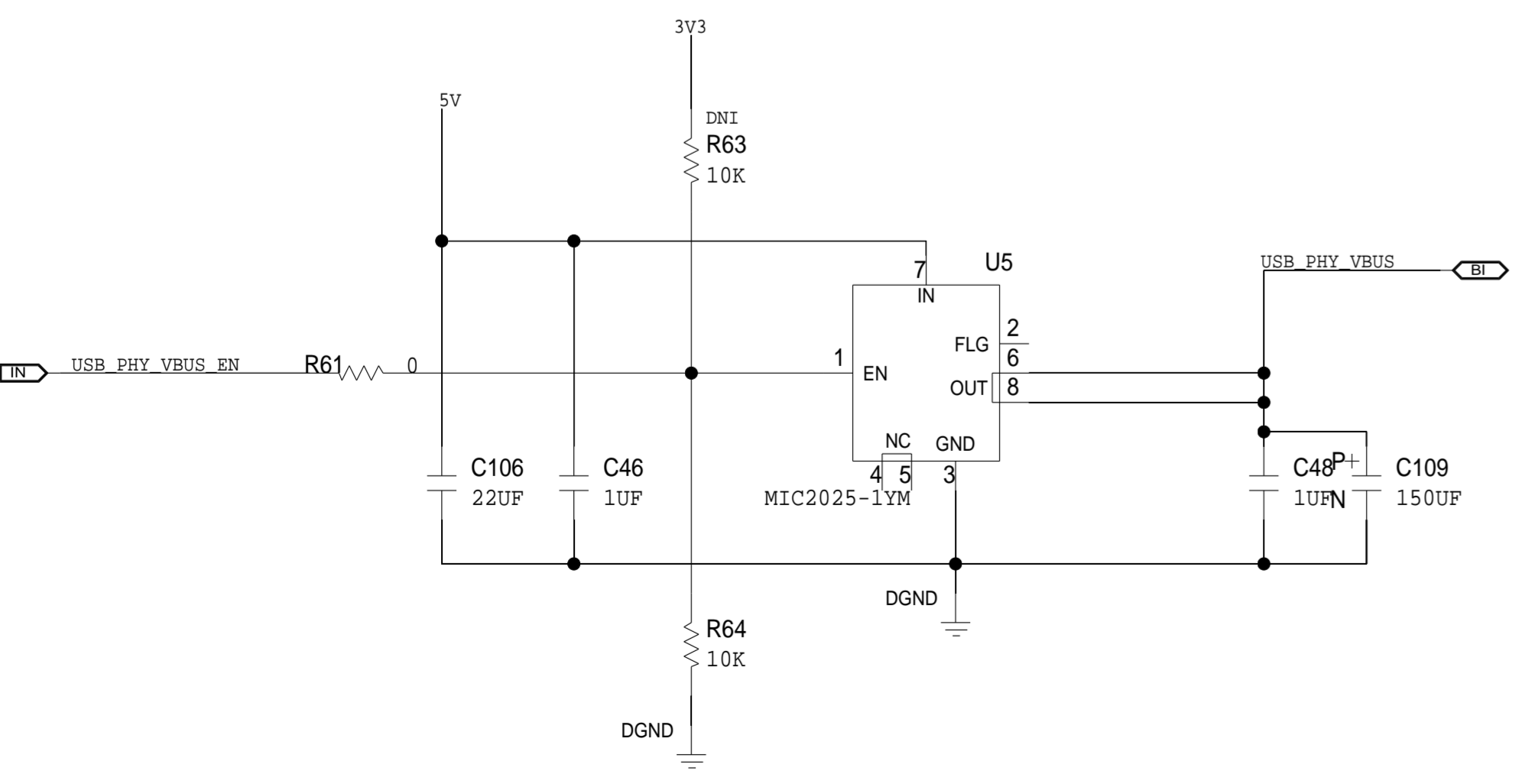
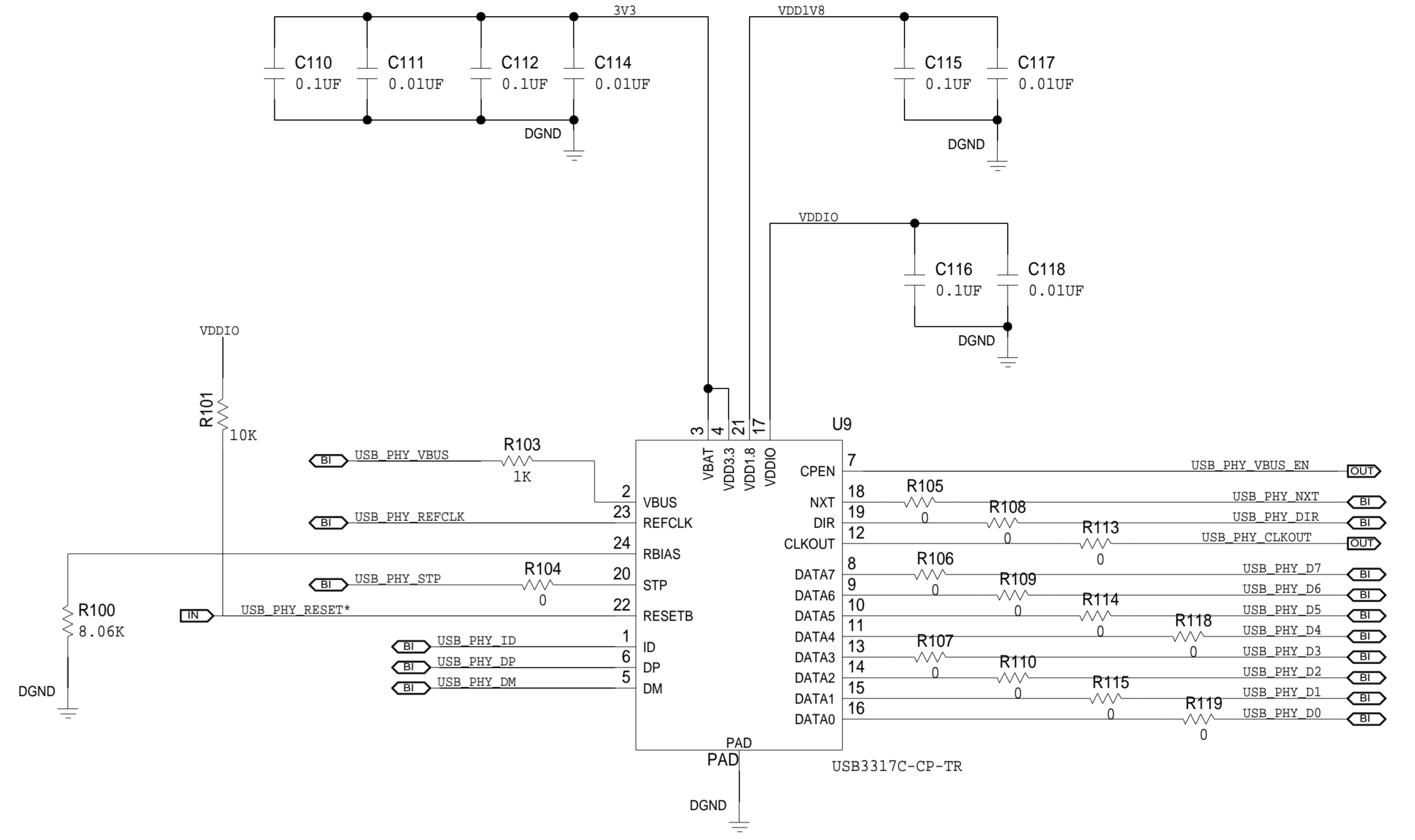
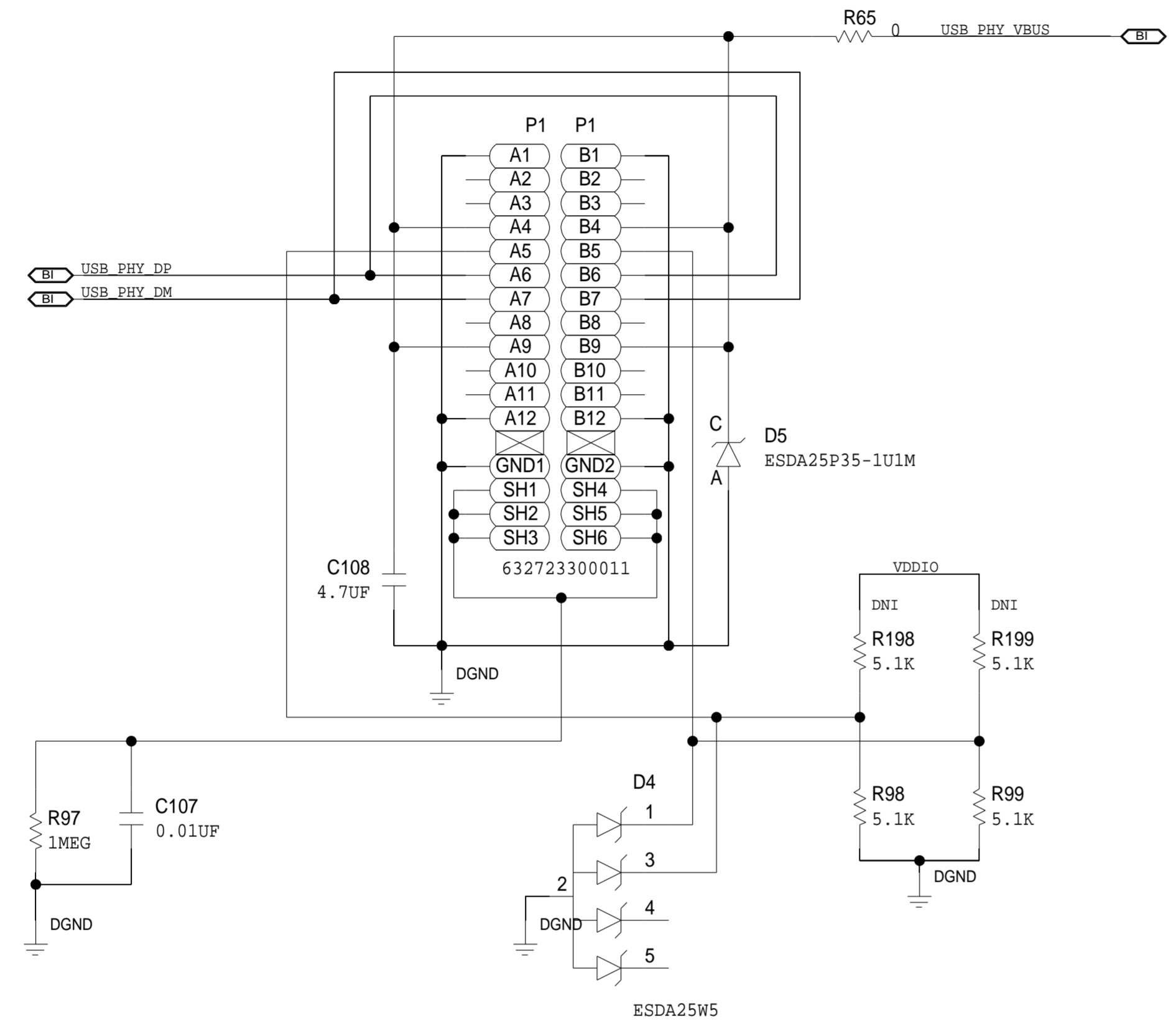
## I2C ADDRESS 0X3C



	<b>SCHEMATIC</b>		
	HW TYPE : Customer Evaluation Z Product(s) : SOM : SOM Carrier		
DESIGN VIEW <DESIGN_VIEW>	DRAWING NO. 02_070361	REV D	
PTD ENGINEER D. HARRINGTON	SIZE D	SCALE 1:1	SHEET 4 OF 13

# USB3317 PHY

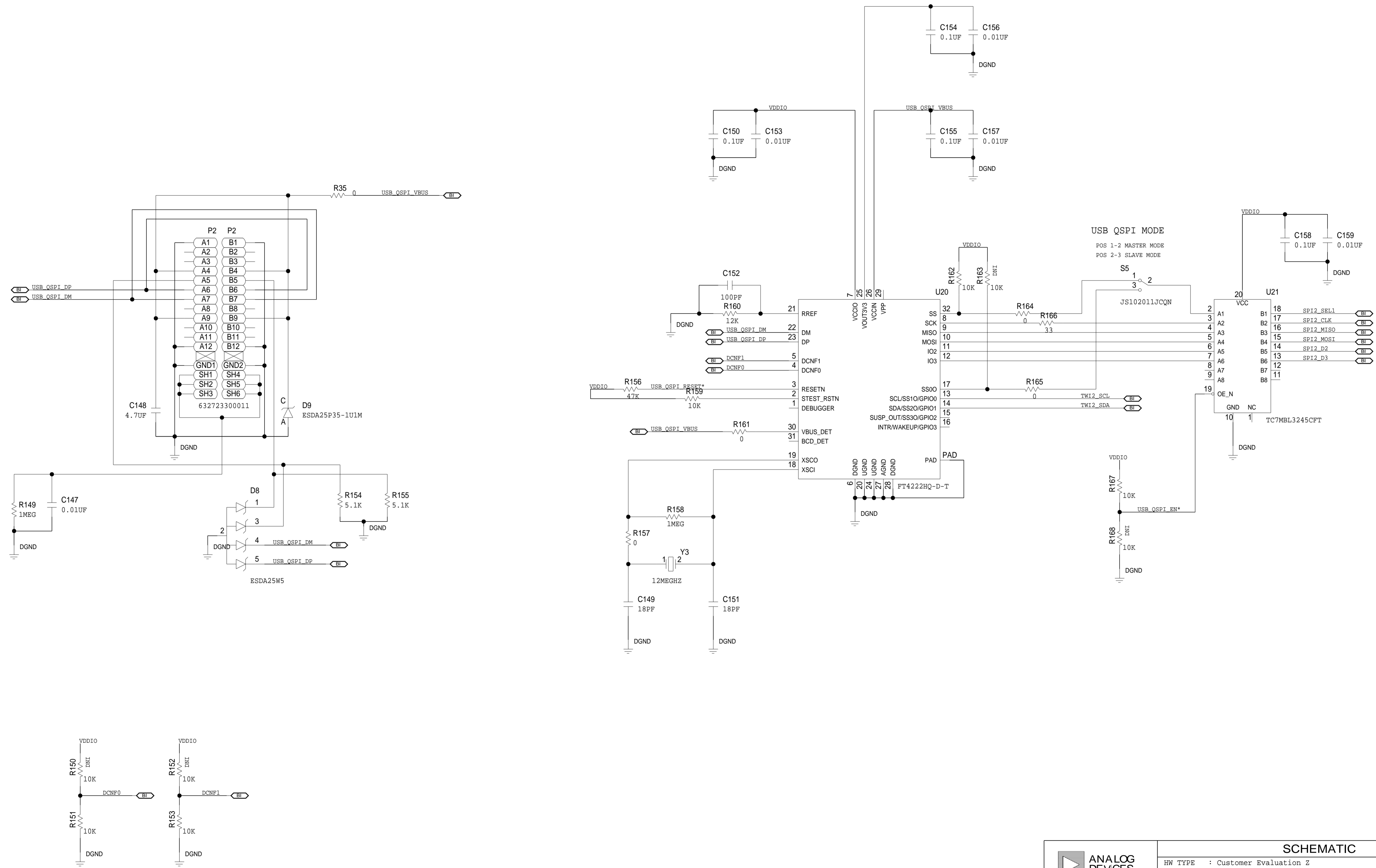
REVISIONS			
REV	DESCRIPTION	DATE	APPROVED



ANALOG DEVICES		SCHEMATIC		
<small>THIS DRAWING IS THE PROPERTY OF ANALOG DEVICES INC. IT IS NOT TO BE REPRODUCED OR COPIED, IN WHOLE OR IN PART, OR USED IN ANY MANNER WITHOUT THE WRITTEN PERMISSION OF ANALOG DEVICES. THE EQUIPMENT SHOWN HEREIN MAY BE PROTECTED BY PATENTS OWNED OR CONTROLLED BY ANALOG DEVICES.</small>		HW TYPE : Customer Evaluation Z Product(s) : SOM : SOM Carrier		
		DESIGN VIEW <DESIGN_VIEW>	DRAWING NO. 02_070361	REV D
PTD ENGINEER D. HARRINGTON		SIZE D	SCALE 1:1	SHEET 5 OF 13

# USB QSPI INTERFACE

REVISIONS			
REV	DESCRIPTION	DATE	APPROVED

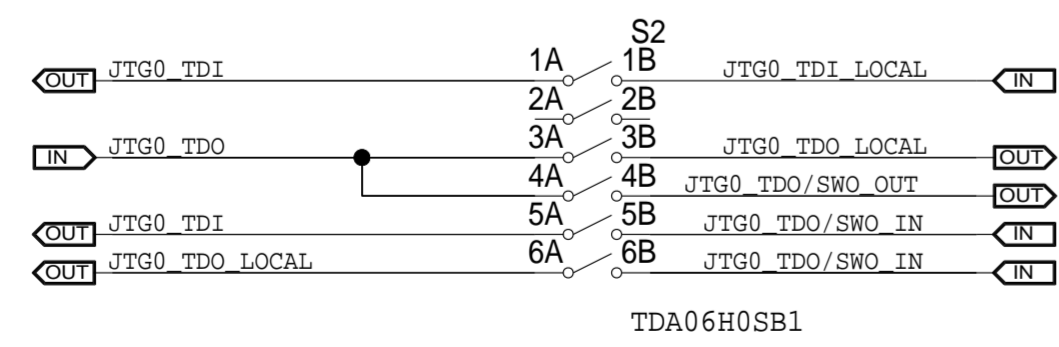
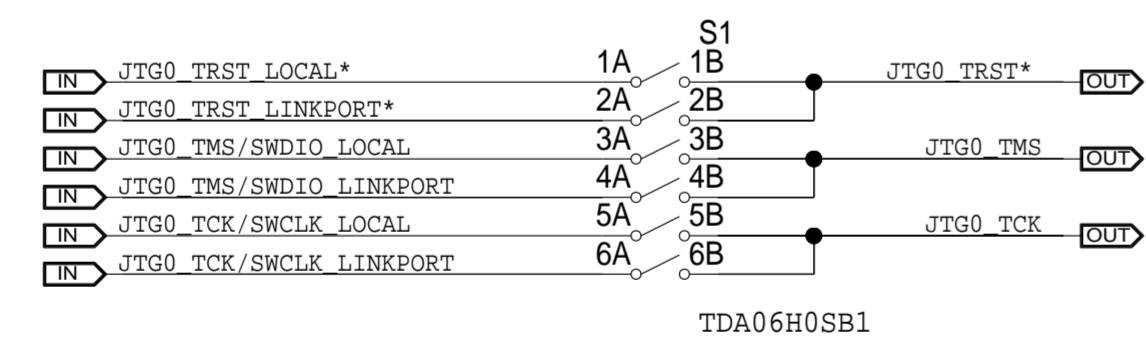
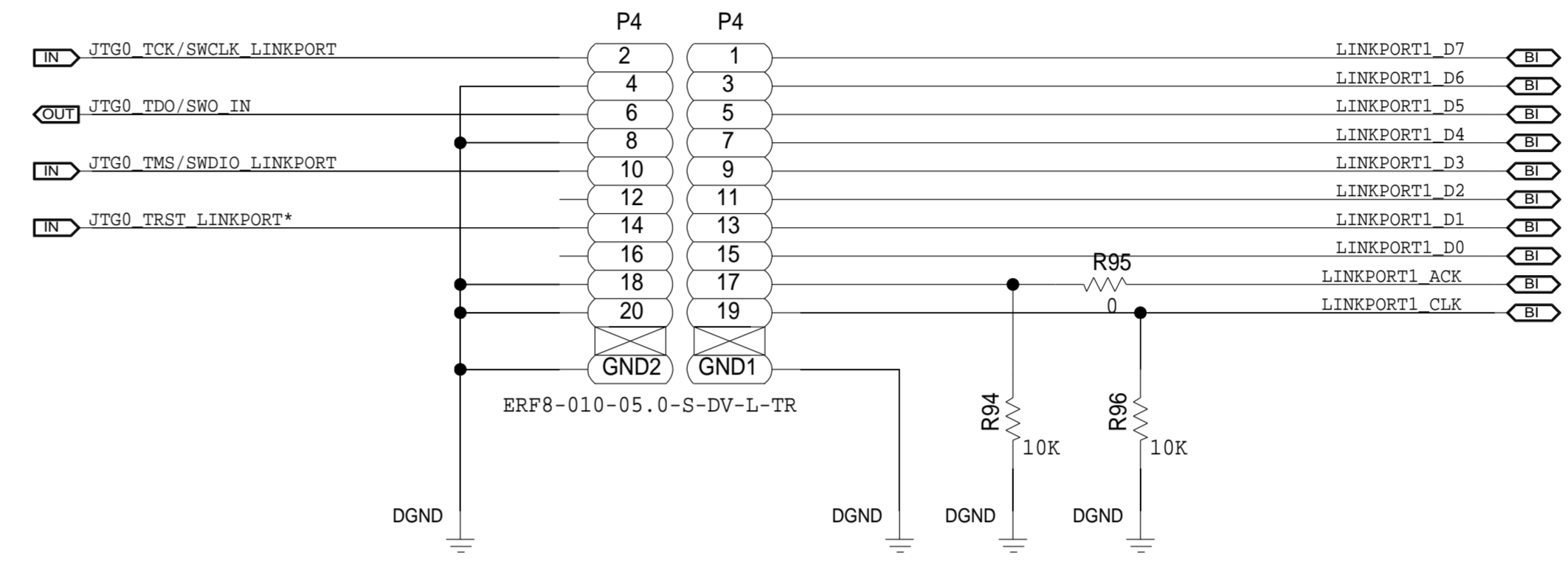
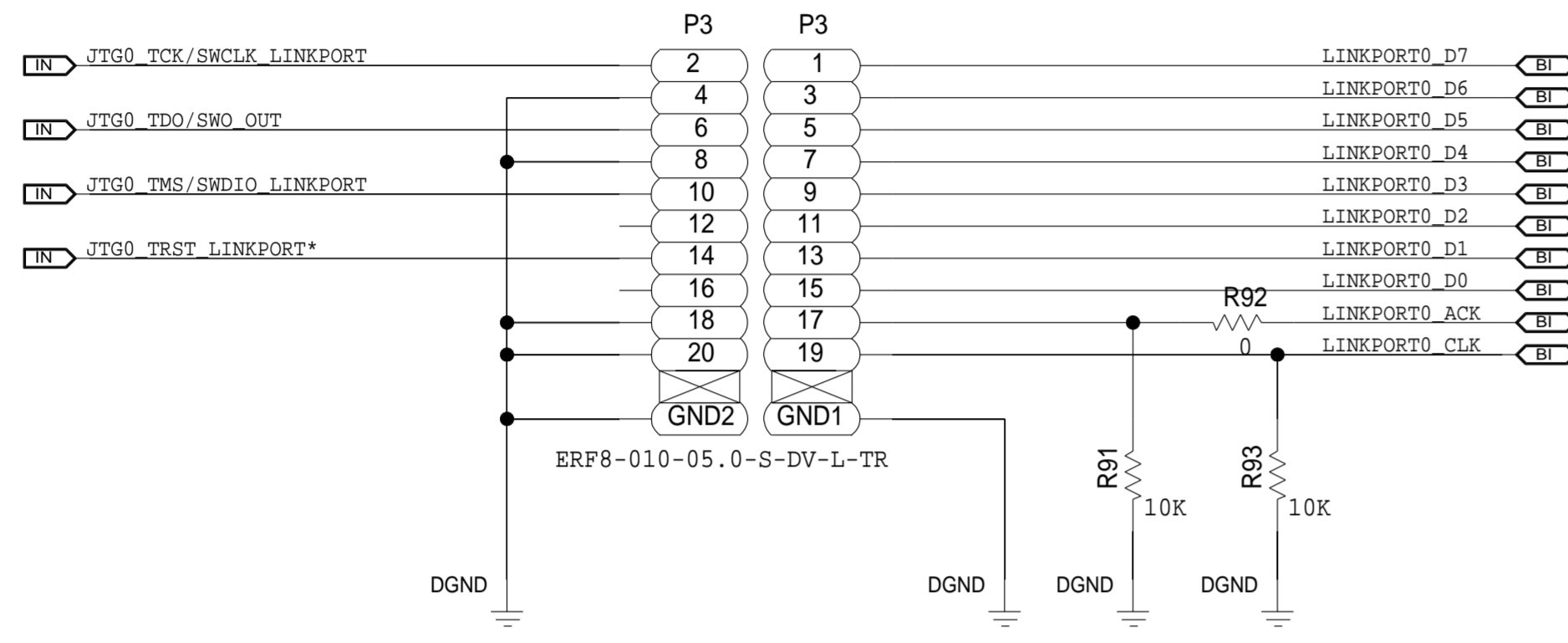


	<b>SCHEMATIC</b>		
	HW TYPE : Customer Evaluation Z		
	Product(s) : SOM		
	: SOM Carrier		
DESIGN VIEW <DESIGN_VIEW>	DRAWING NO. 02_070361	REV D	
PTD ENGINEER D. HARRINGTON	SIZE D	SCALE 1:1	SHEET 6 OF 13

# LINKPORT

## REVISIONS

REV	DESCRIPTION	DATE	APPROVED



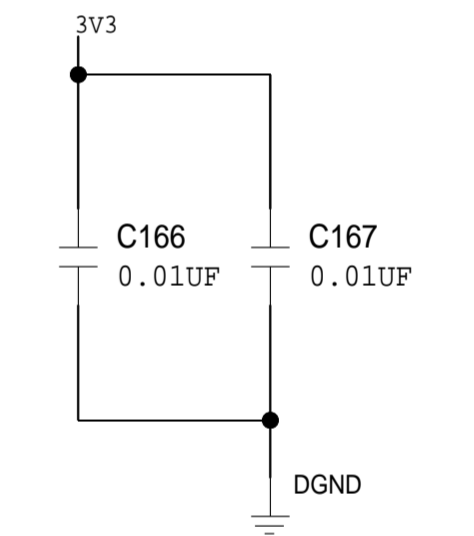
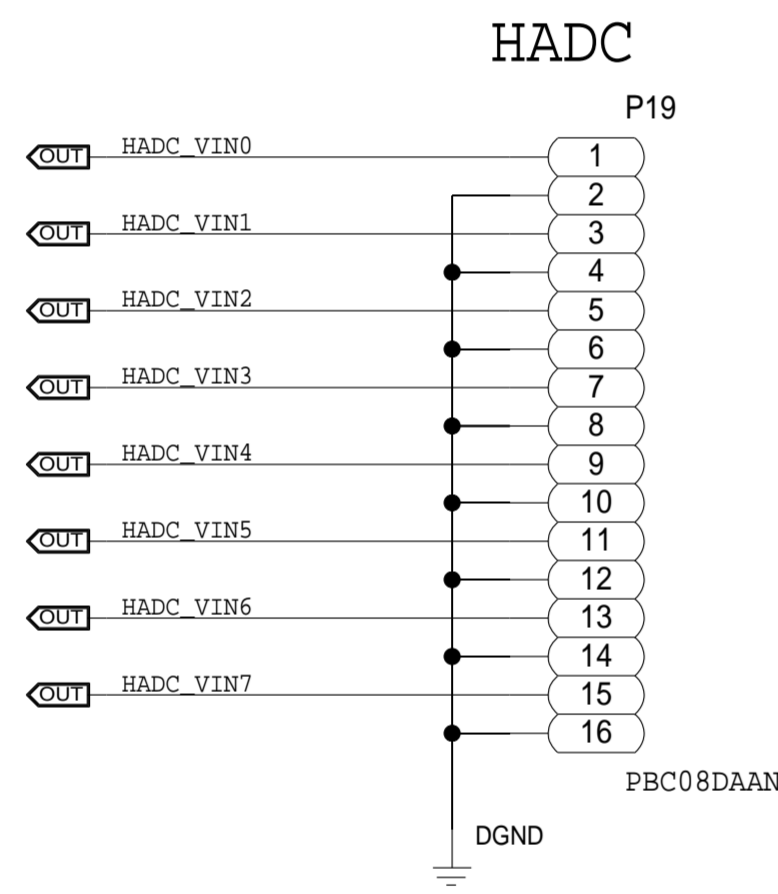
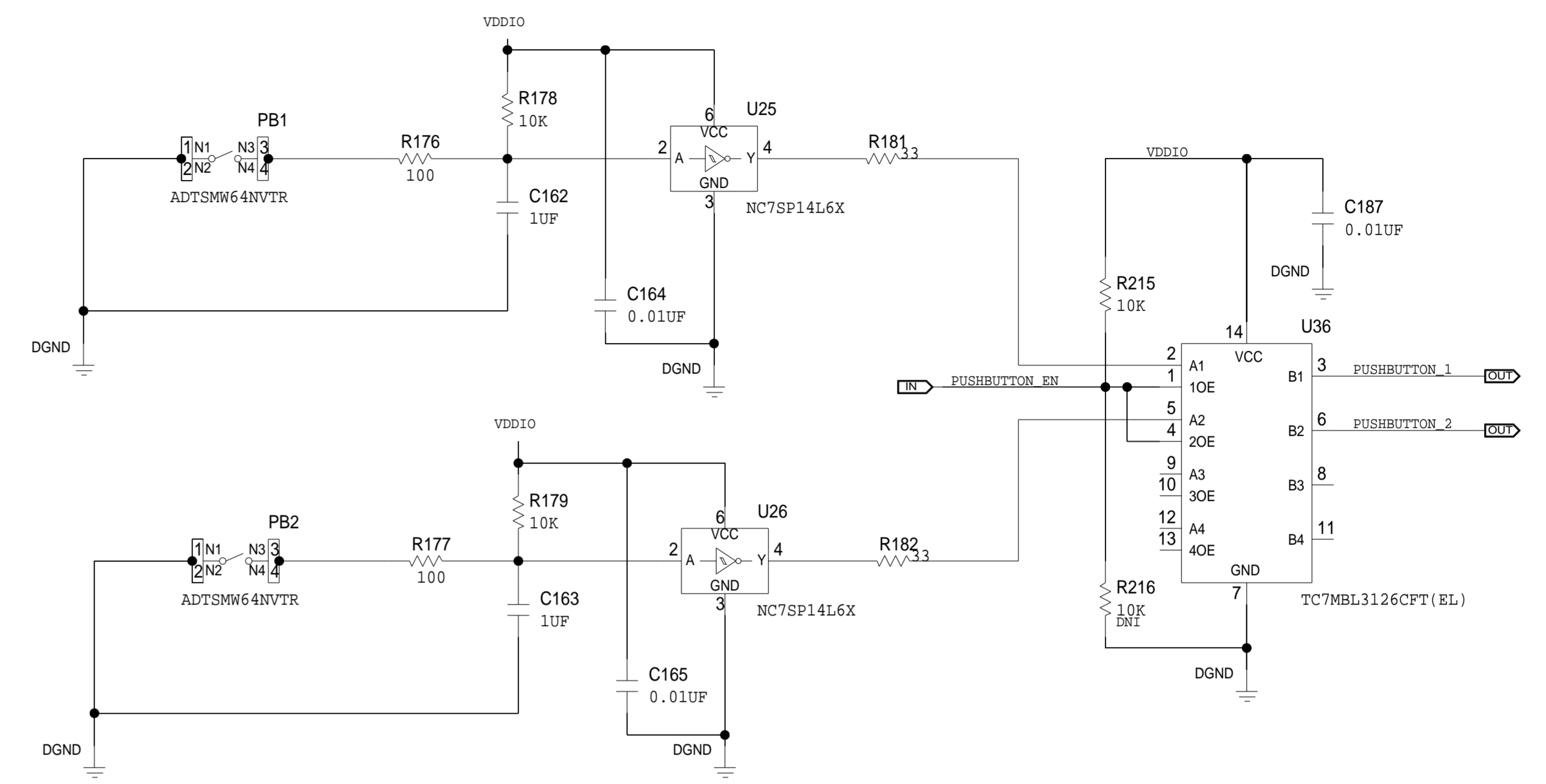
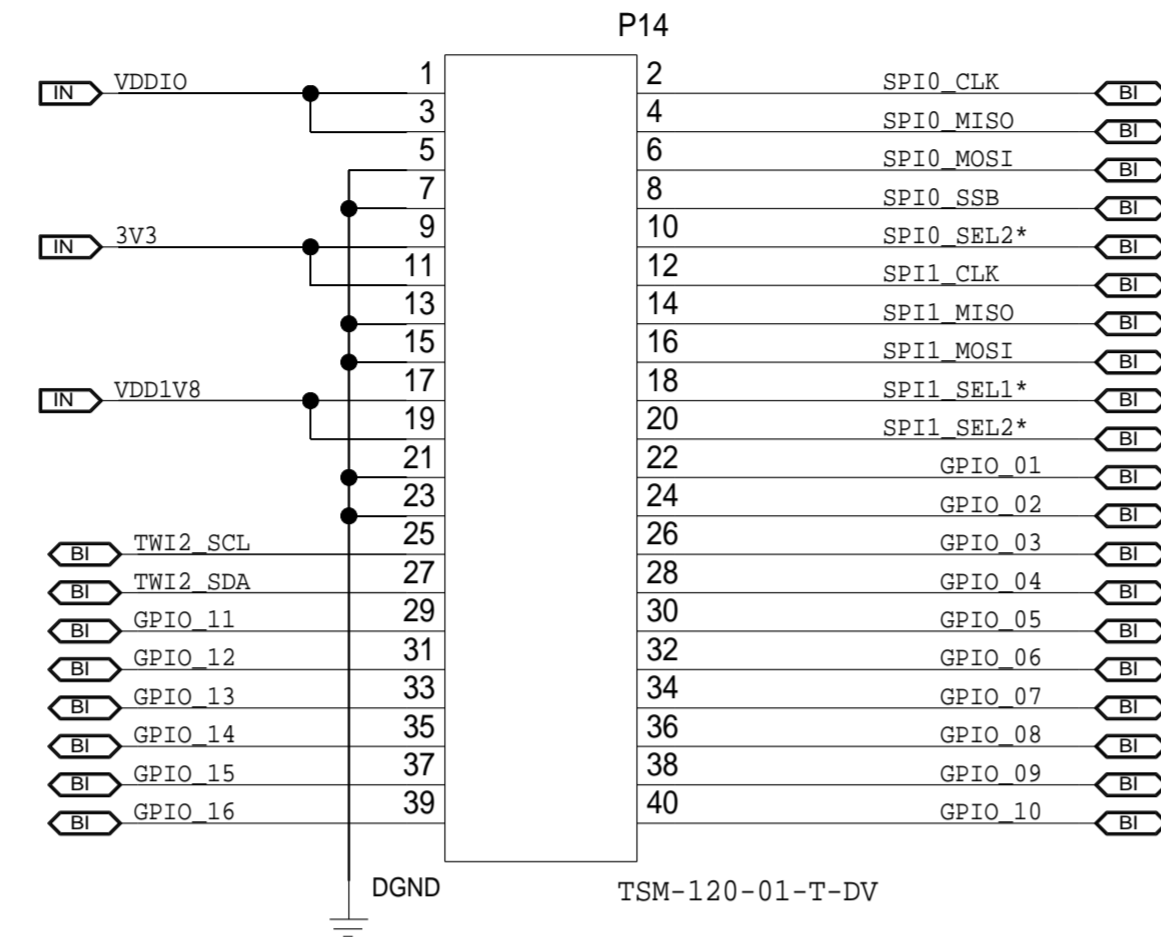
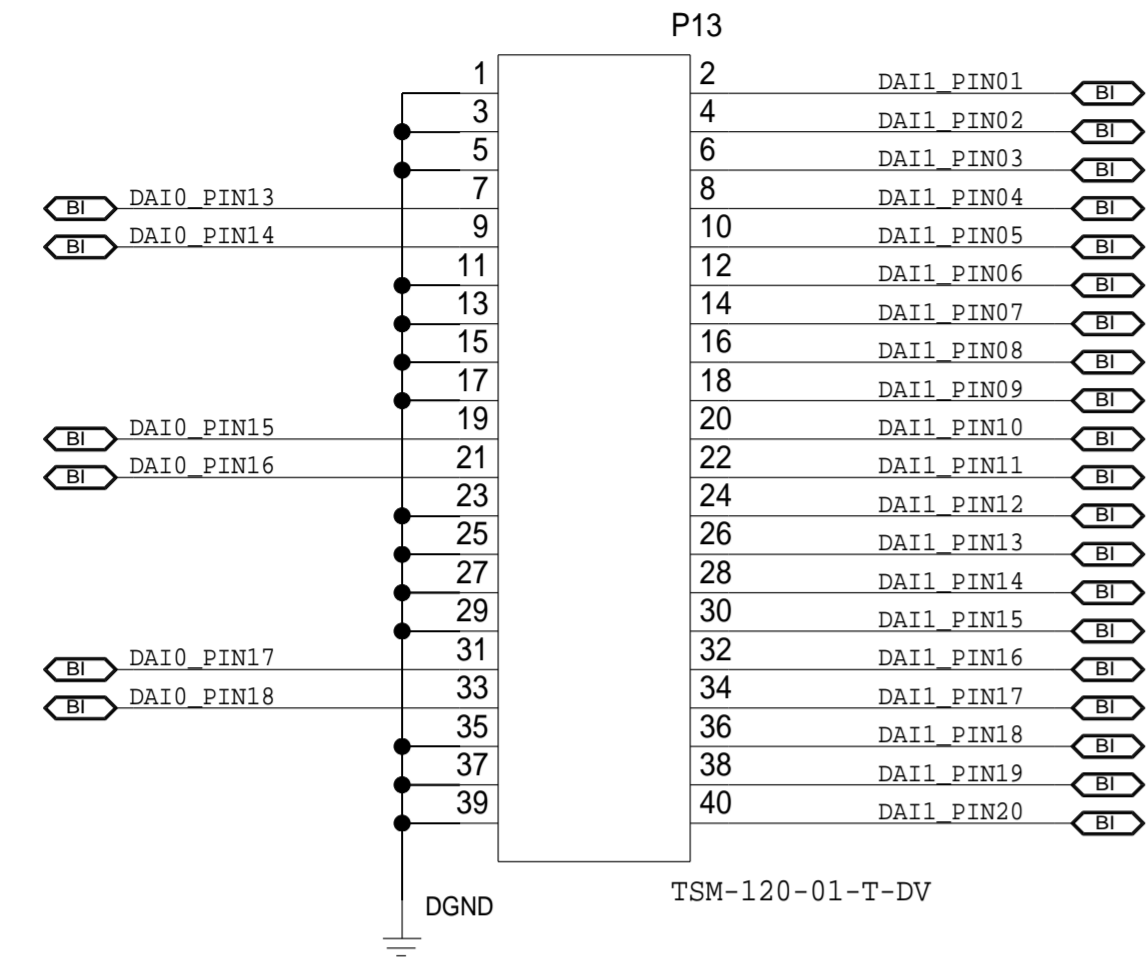
Single DSP in Chain		Multiple DSPs		Board(s) not attached to emulator	
		Board attached to emulator			
SWITCH	POSITION	SWITCH	POSITION	SWITCH	POSITION
S1.1	ON	S1.1	ON	S1.1	OFF
S1.2	OFF	S1.2	ON	S1.2	ON
S1.3	ON	S1.3	ON	S1.3	OFF
S1.4	OFF	S1.4	ON	S1.4	ON
S1.5	ON	S1.5	ON	S1.5	OFF
S1.6	OFF	S1.6	ON	S1.6	ON
S2.1	ON	S2.1	ON	S2.1	OFF
S2.2	OFF	S2.2	OFF	S2.2	OFF
S2.3	ON	S2.3	OFF	S2.3	OFF
S2.4	OFF	S2.4	ON	S2.4	ON
S2.5	OFF	S2.5	OFF	S2.5	ON
S2.6	OFF	S2.6	ON	S2.6	OFF

<p>THIS DRAWING IS THE PROPERTY OF ANALOG DEVICES INC. IT IS NOT TO BE REPRODUCED OR COPIED, IN WHOLE OR IN PART, OR USED IN FURNISHING INFORMATION TO OTHERS, OR FOR ANY OTHER PURPOSE DETRIMENTAL TO THE INTERESTS OF ANALOG DEVICES. THE EQUIPMENT SHOWN HEREON MAY BE PROTECTED BY PATENTS OWNED OR CONTROLLED BY OWNED ANALOG DEVICES.</p>	<b>SCHEMATIC</b>		
	HW TYPE : Customer Evaluation Z Product(s): SOM : SOM Carrier		
	DESIGN VIEW <DESIGN_VIEW>	DRAWING NO. 02_070361	REV D
	PTD ENGINEER D. HARRINGTON	SIZE D	SCALE 1:1

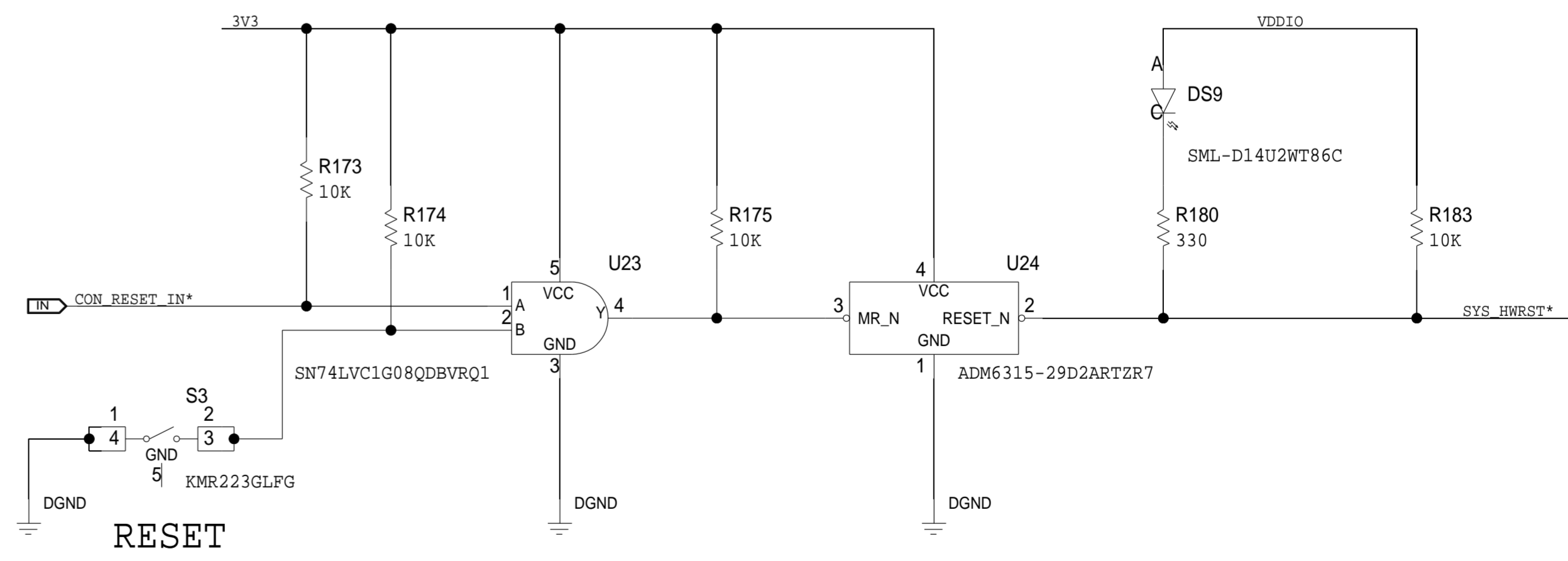
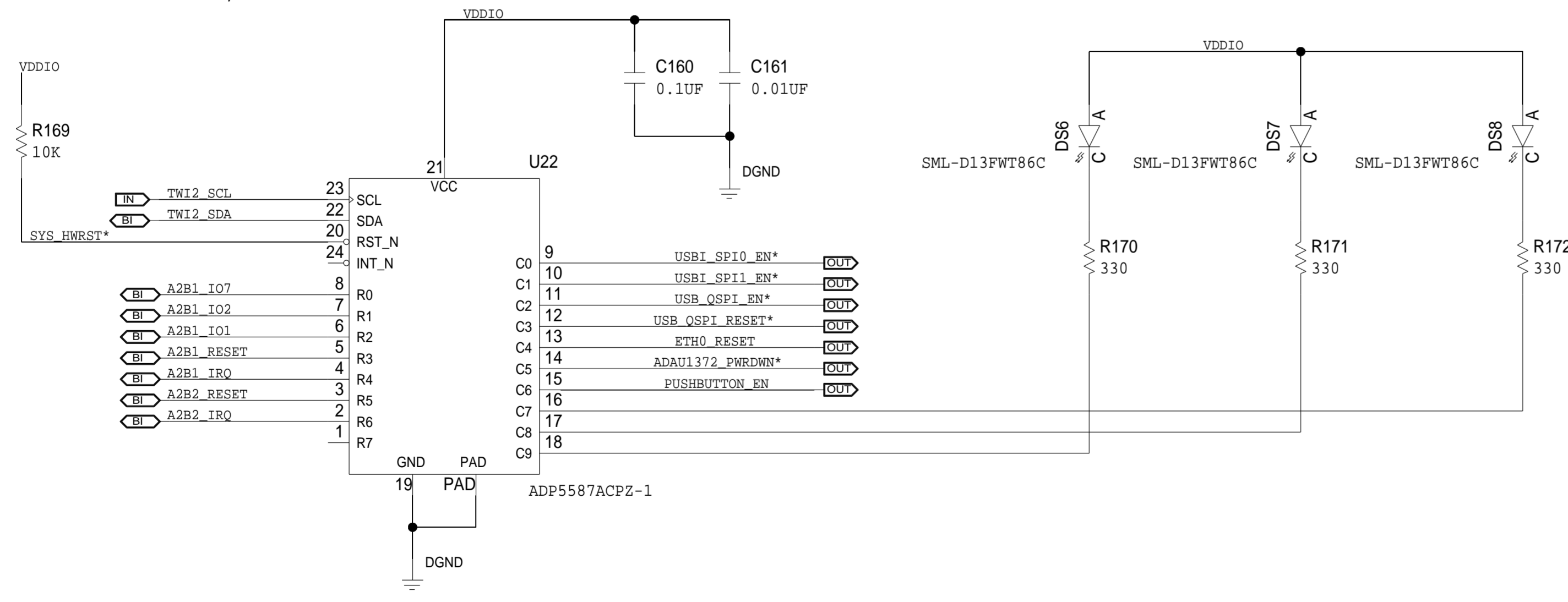
SHEET 7 OF 13

# IO HEADER/PUSHBUTTONS/SOFTCONFIG

REVISIONS			
REV	DESCRIPTION	DATE	APPROVED



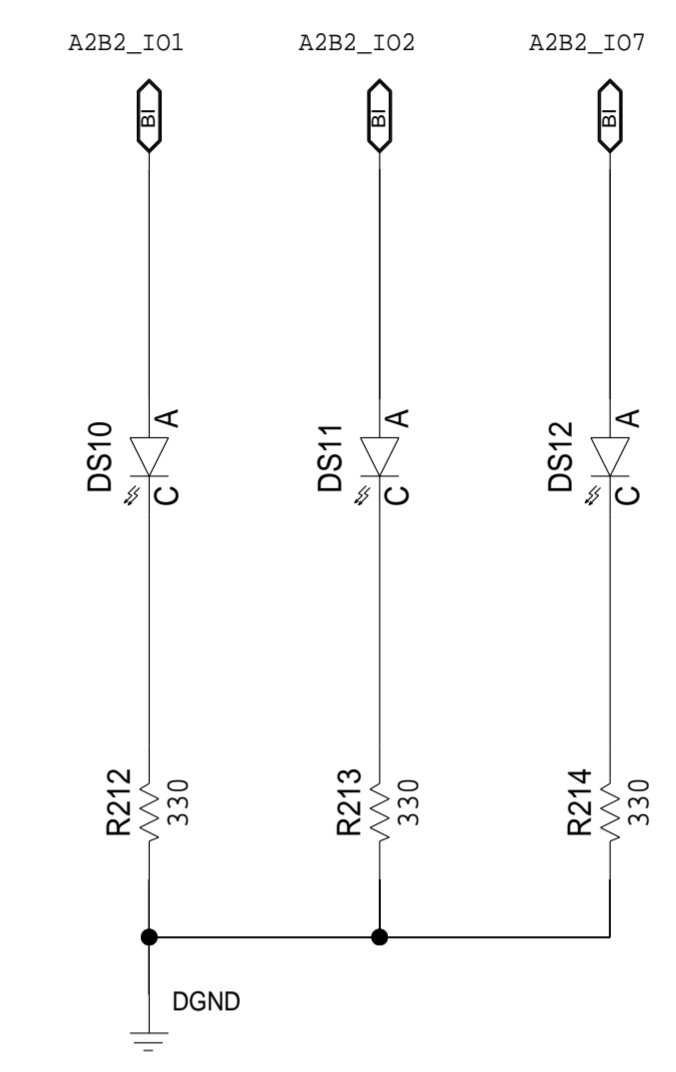
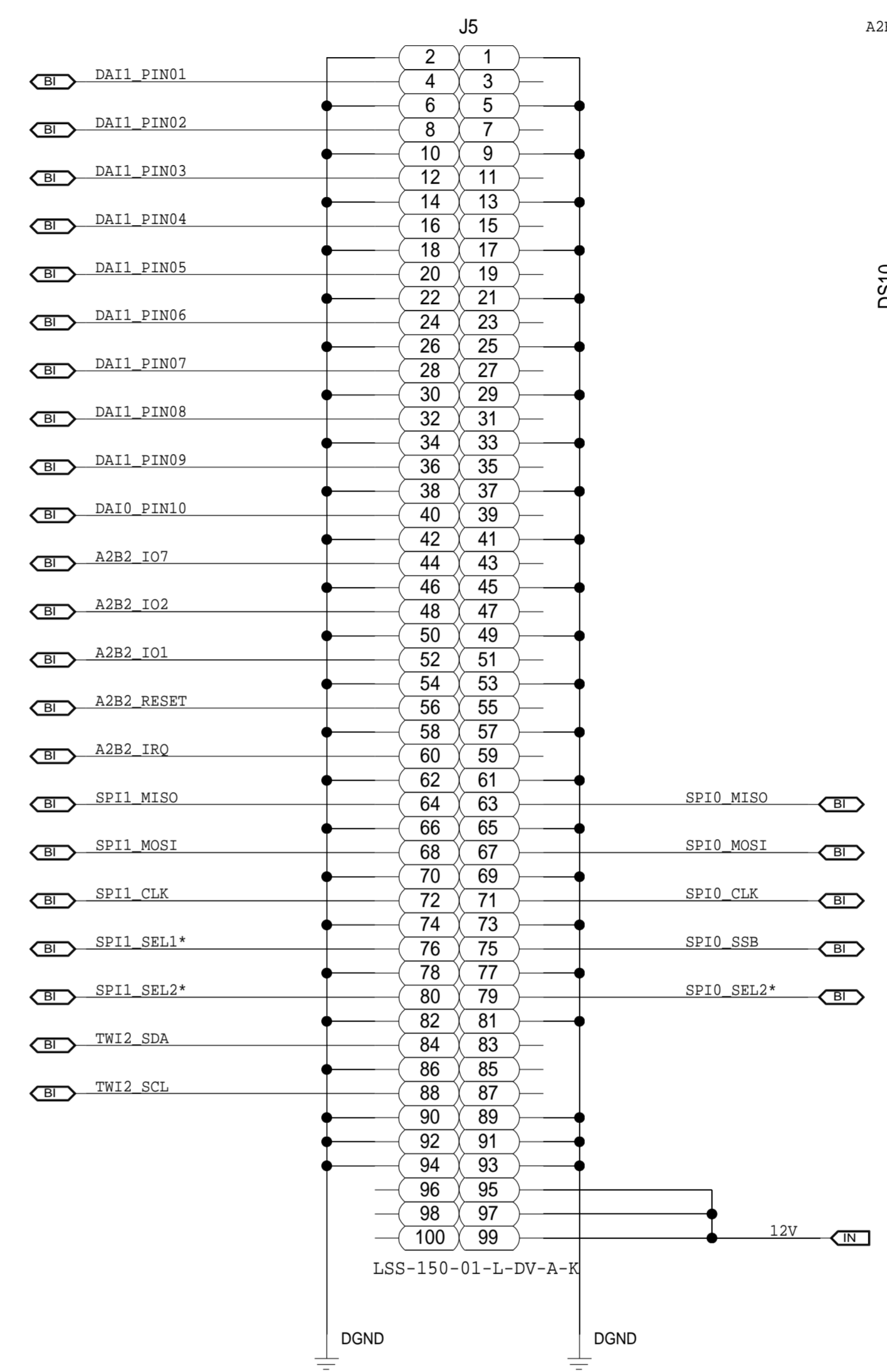
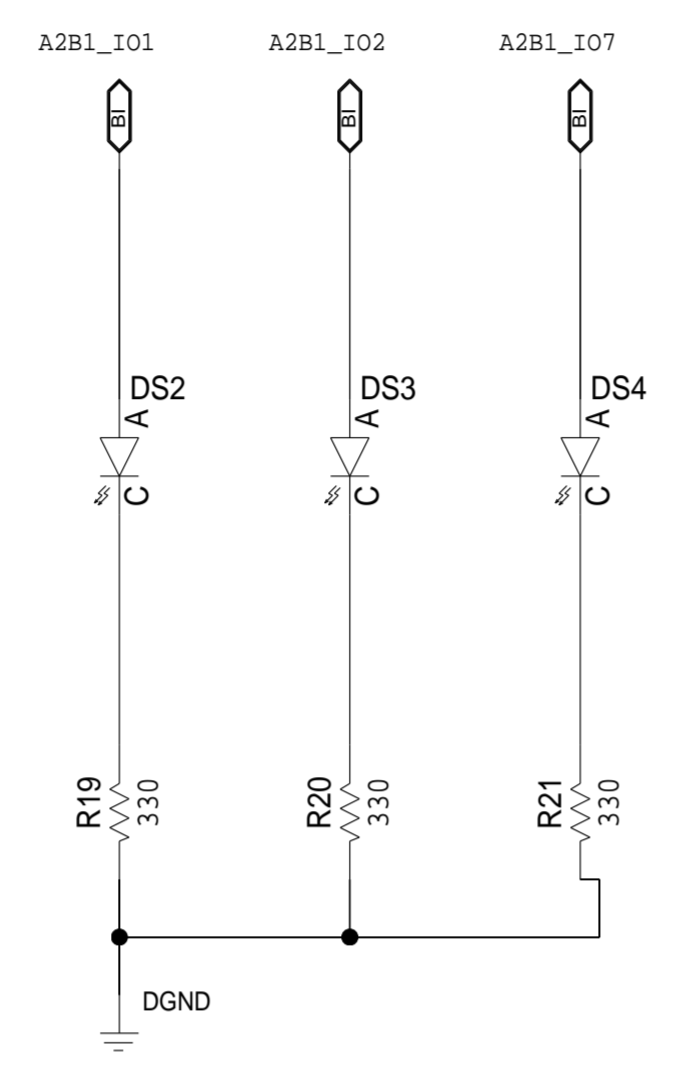
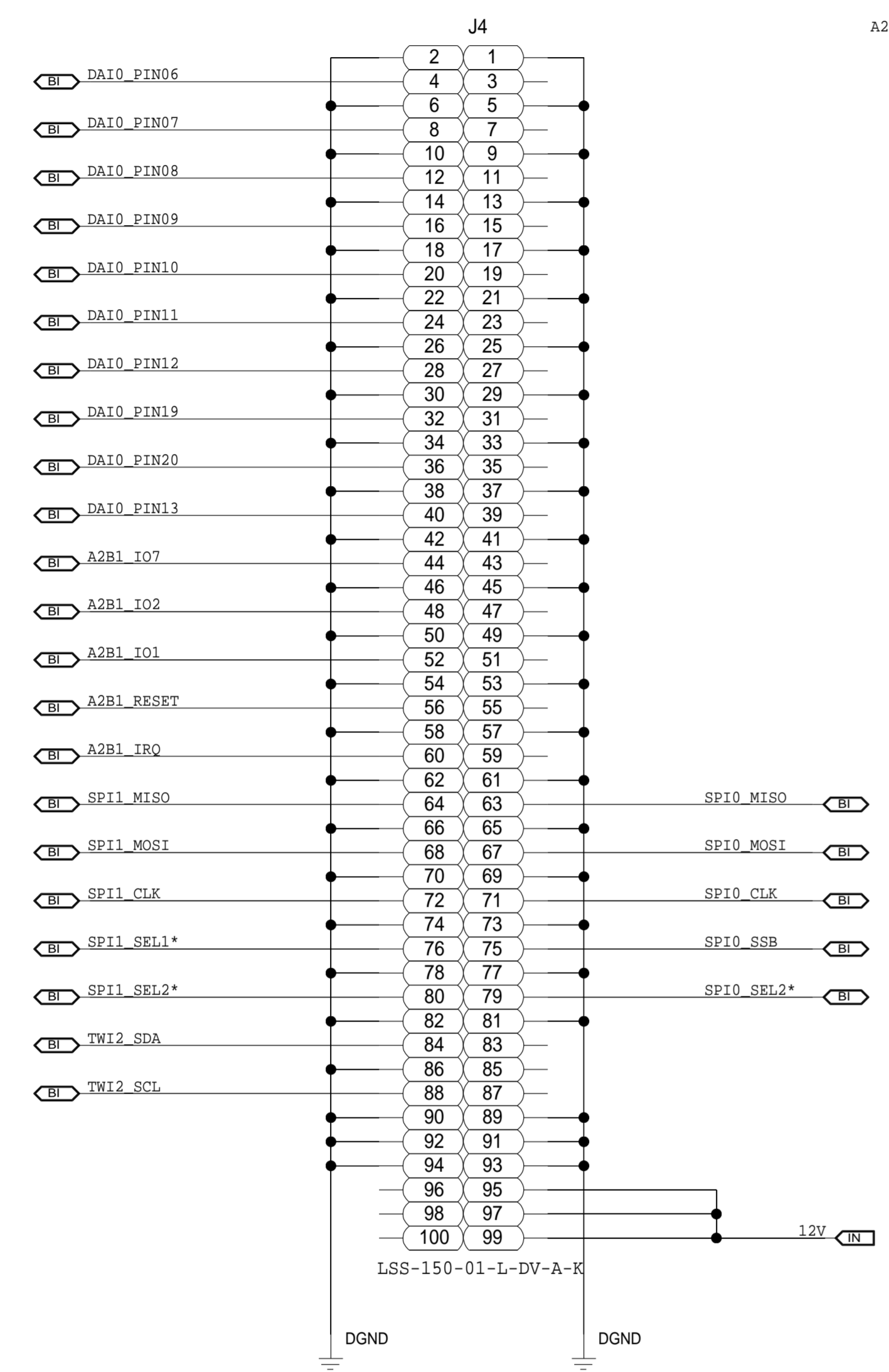
TWI ADDRESS 0X30  
0110000X X: 1 FOR READ, 0 FOR WRITE



ANALOG DEVICES				SCHEMATIC			
<small>THIS DRAWING IS THE PROPERTY OF ANALOG DEVICES INC. IT IS NOT TO BE REPRODUCED OR COPIED, IN WHOLE OR IN PART, OR USED IN ANY MANNER THAT IS DETRIMENTAL TO THE INTERESTS OF ANALOG DEVICES. THE EQUIPMENT SHOWN HEREIN MAY BE PROTECTED BY PATENTS OWNED OR CONTROLLED BY ANALOG DEVICES.</small>				HW TYPE : Customer Evaluation Z Product(s): SOM : SOM Carrier			
				DESIGN VIEW <DESIGN_VIEW>		DRAWING NO. 02_070361	
PTD ENGINEER D. HARRINGTON		SIZE D	SCALE 1:1	SHEET 8 OF 13			



REVISIONS			
REV	DESCRIPTION	DATE	APPROVED

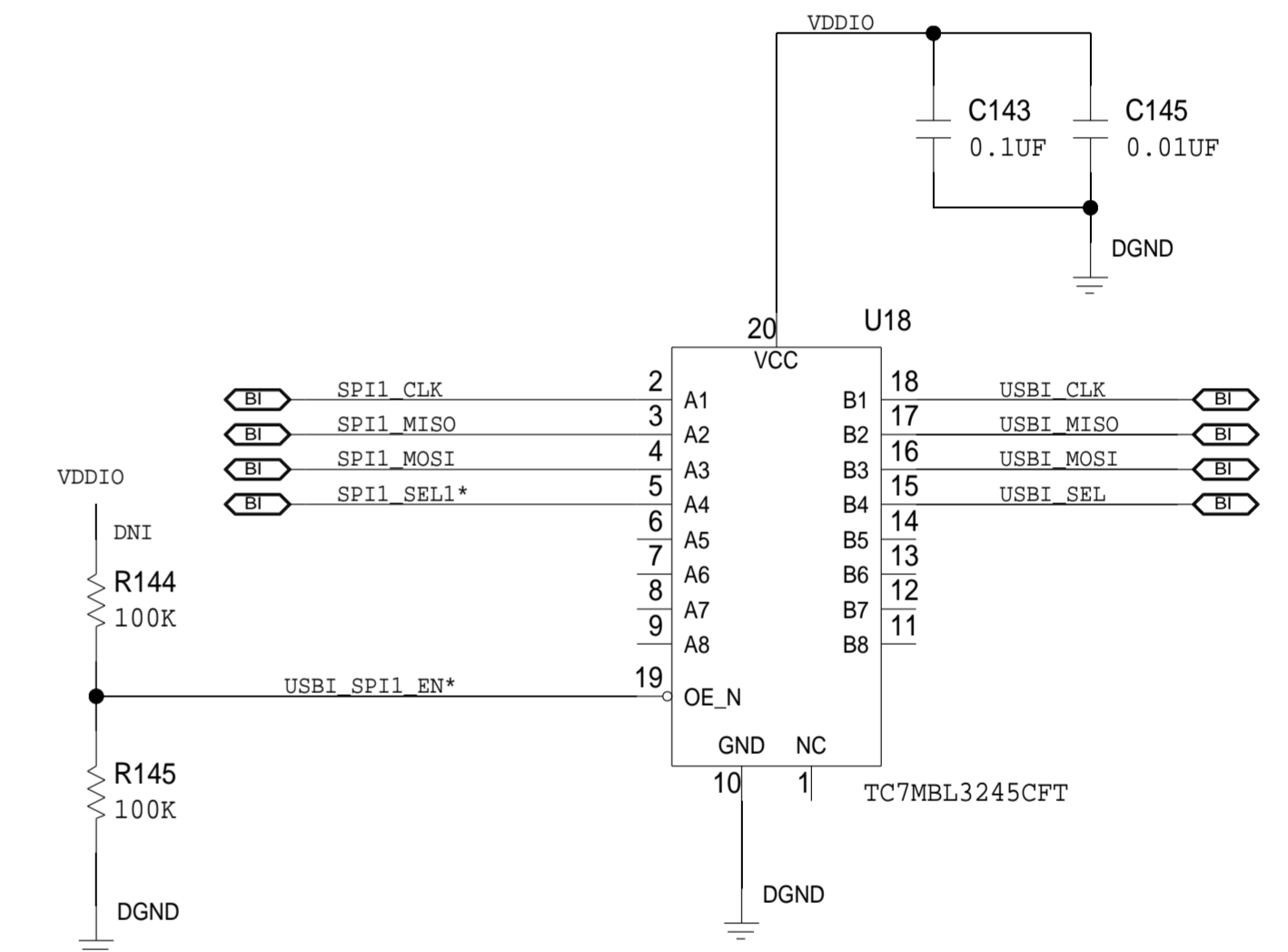
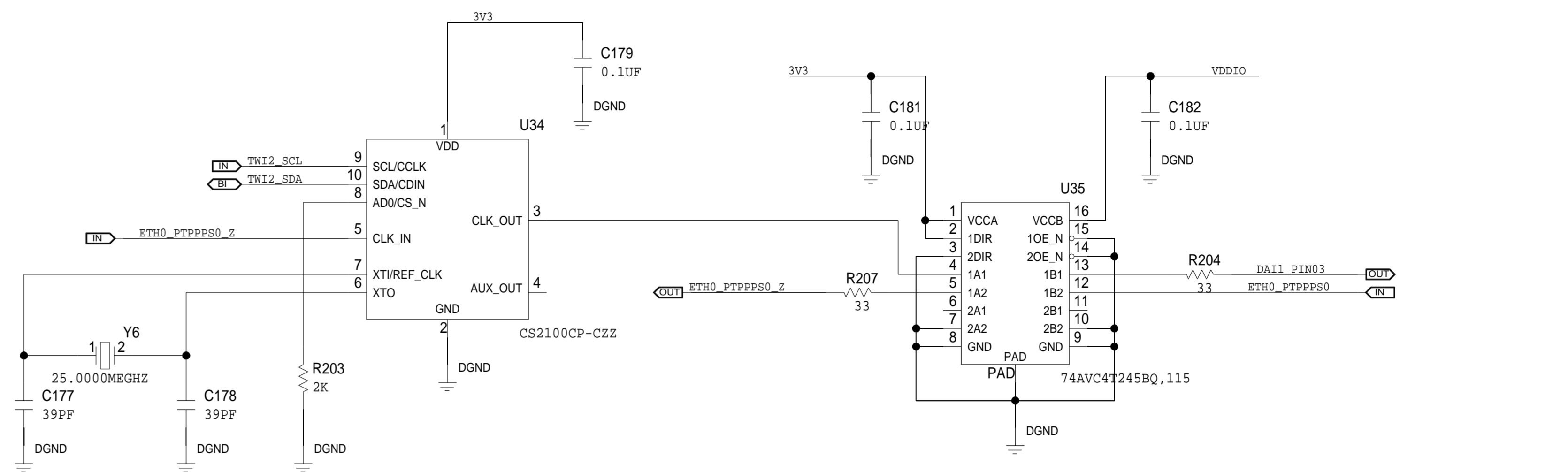
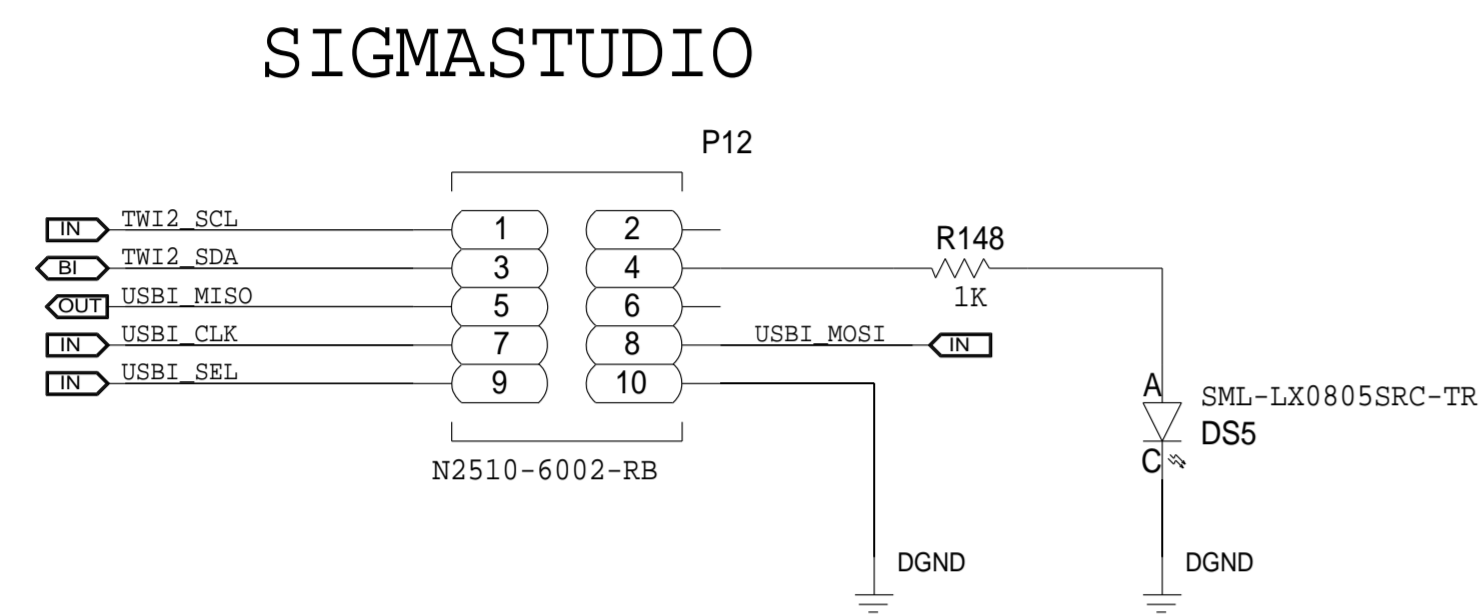


<p>THIS DRAWING IS THE PROPERTY OF ANALOG DEVICES INC. IT IS NOT TO BE REPRODUCED OR COPIED, IN WHOLE OR IN PART, OR USED IN FURNISHING INFORMATION TO OTHERS, OR FOR ANY OTHER PURPOSE DETRIMENTAL TO THE INTERESTS OF ANALOG DEVICES. THE EQUIPMENT SHOWN HEREON MAY BE PROTECTED BY PATENTS OWNED OR CONTROLLED BY ANALOG DEVICES.</p>	<b>SCHEMATIC</b>		
	HW TYPE : Customer Evaluation Z Product(s) : SOM Carrier		
	DESIGN VIEW <DESIGN_VIEW>	DRAWING NO. 02_070361	REV D
	PTD ENGINEER D. HARRINGTON	SIZE D	SCALE 1:1

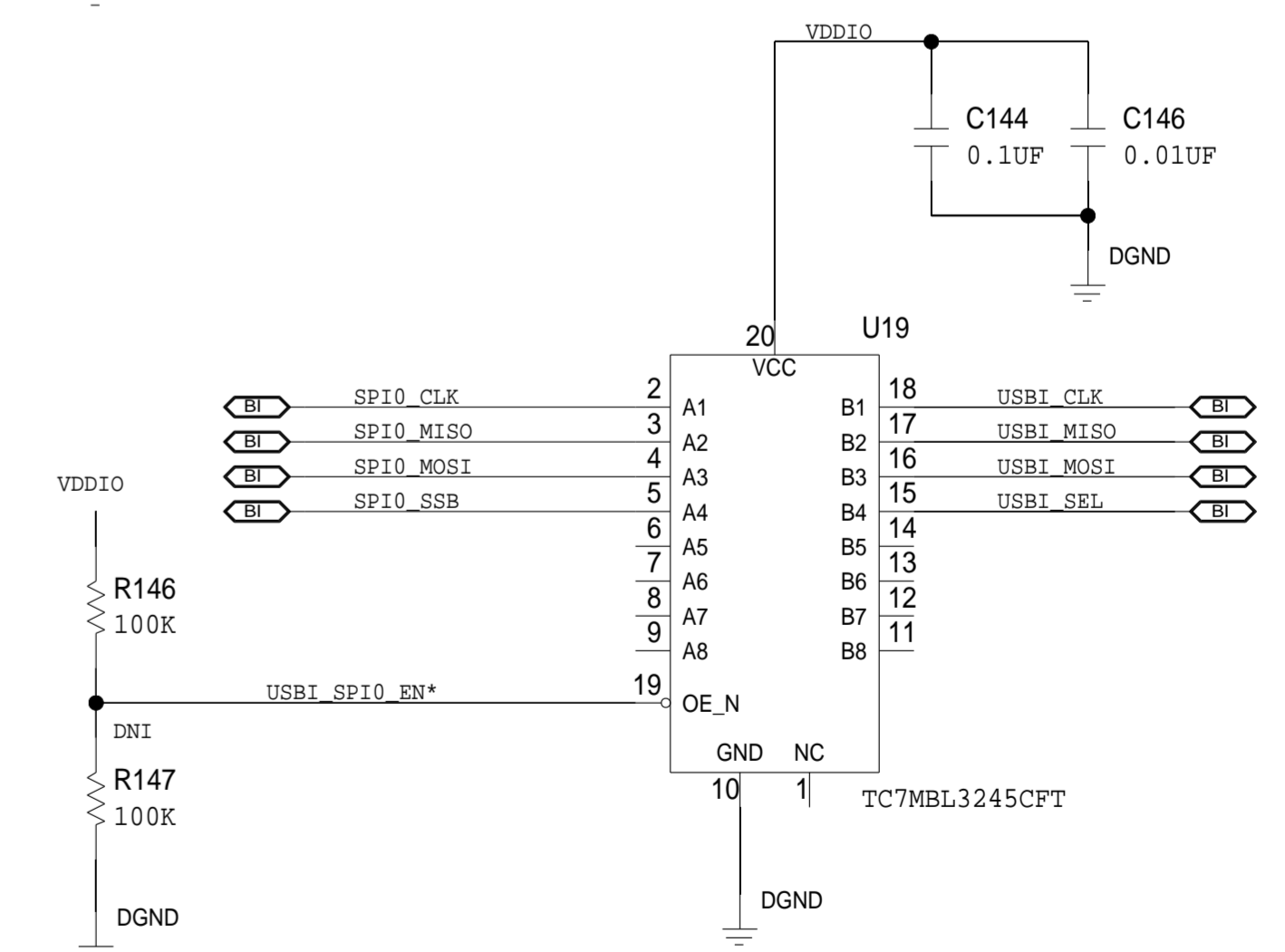
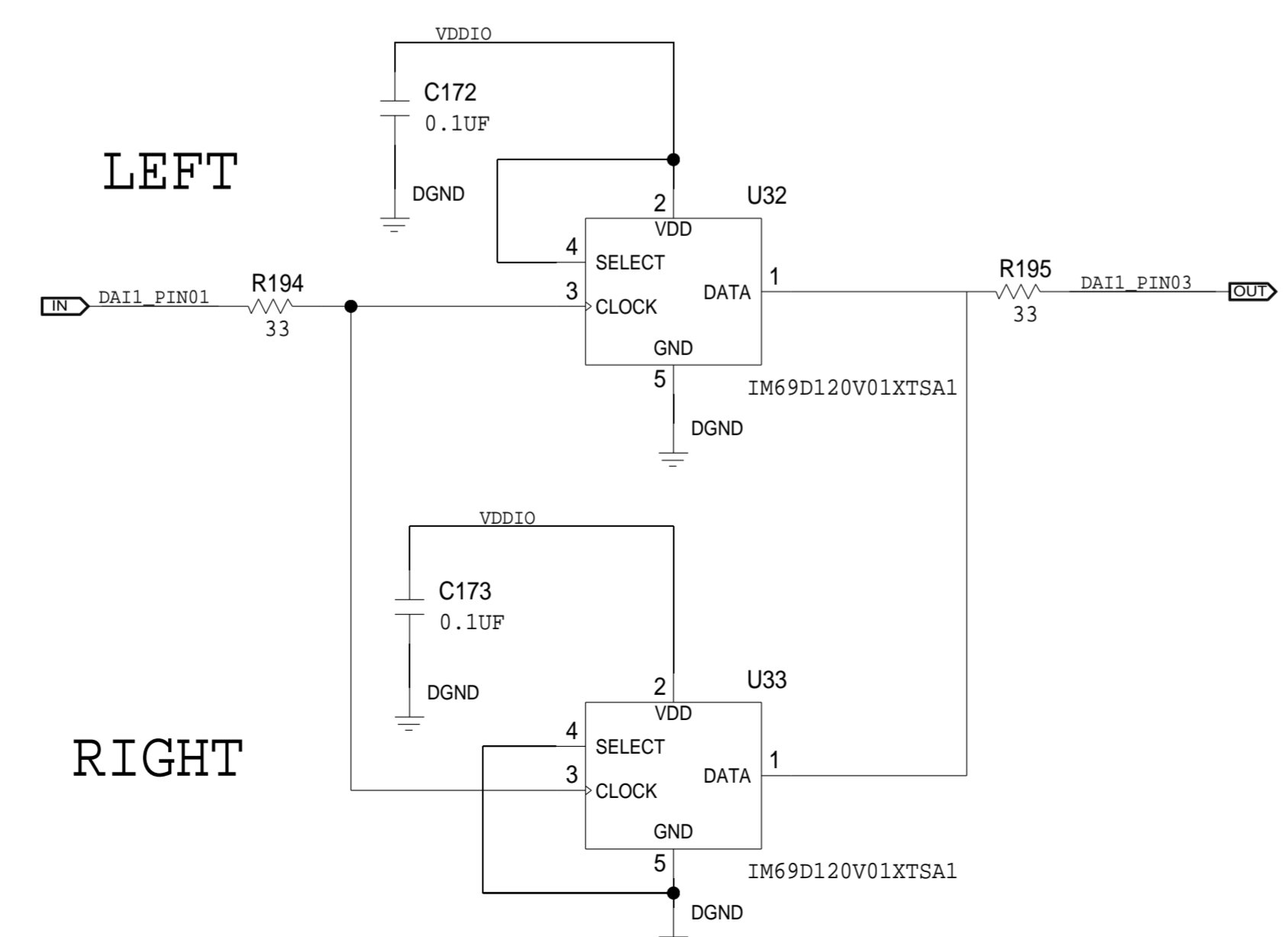
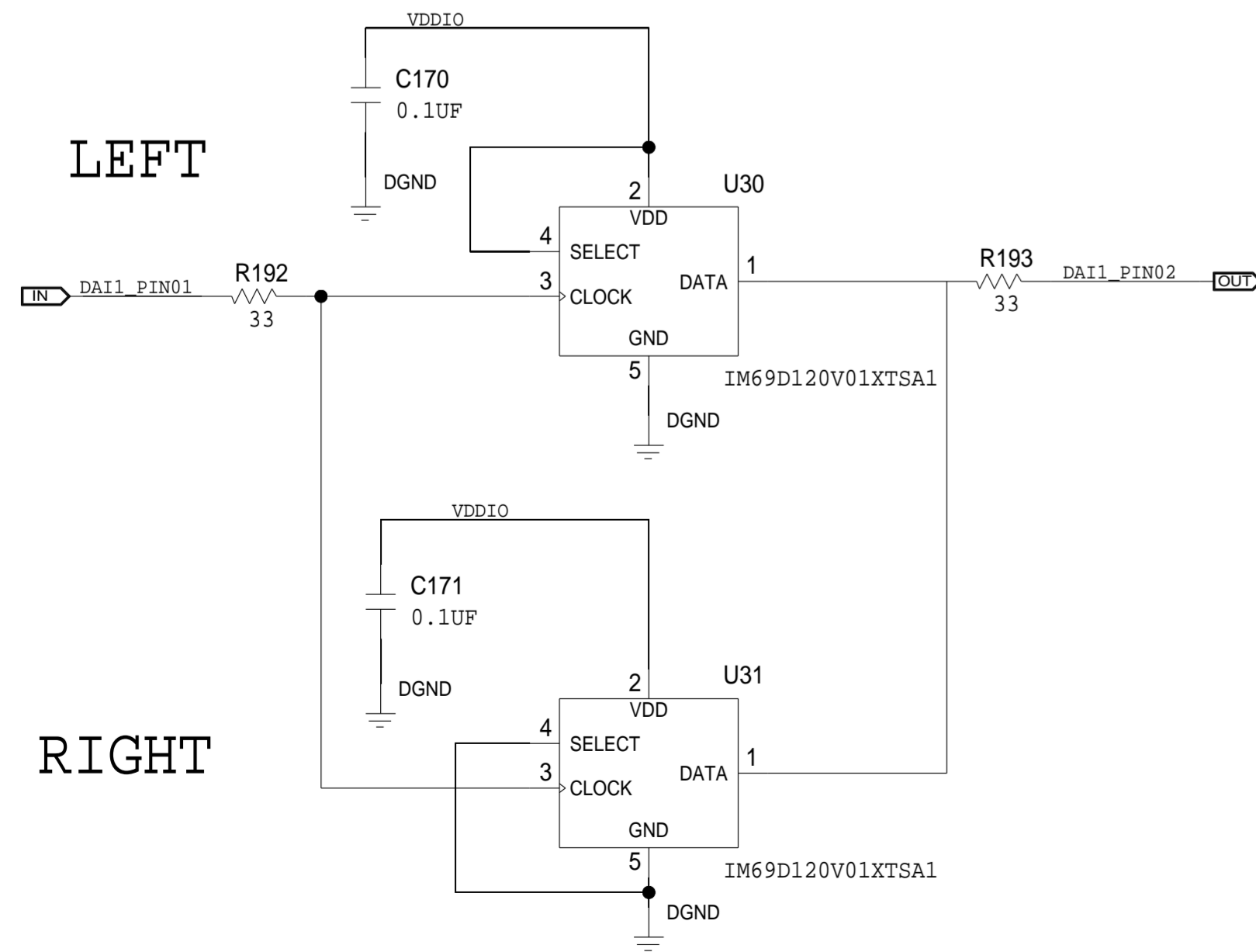
SHEET 9 OF 13

# SIGMASTUDIO/PDM MICS

REVISIONS			
REV	DESCRIPTION	DATE	APPROVED



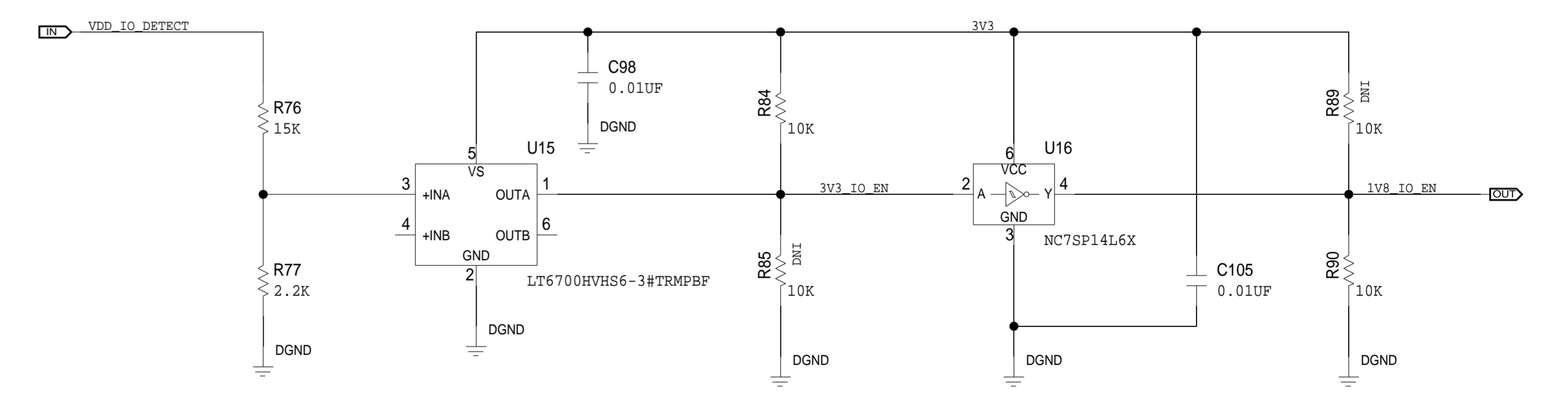
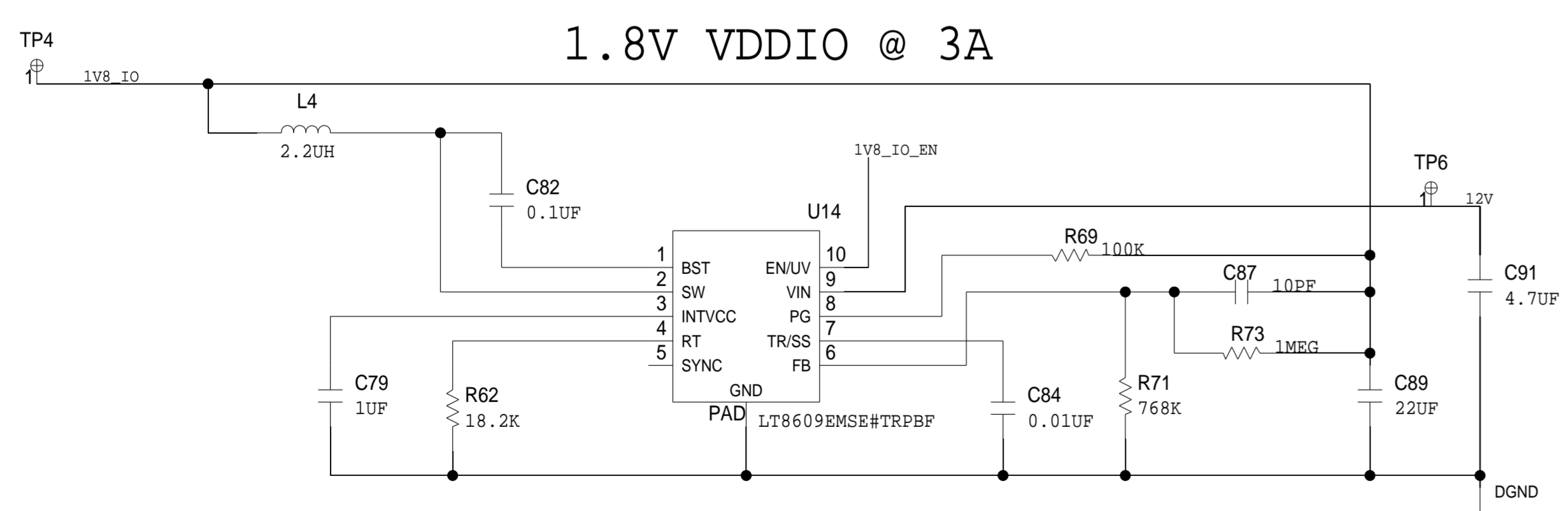
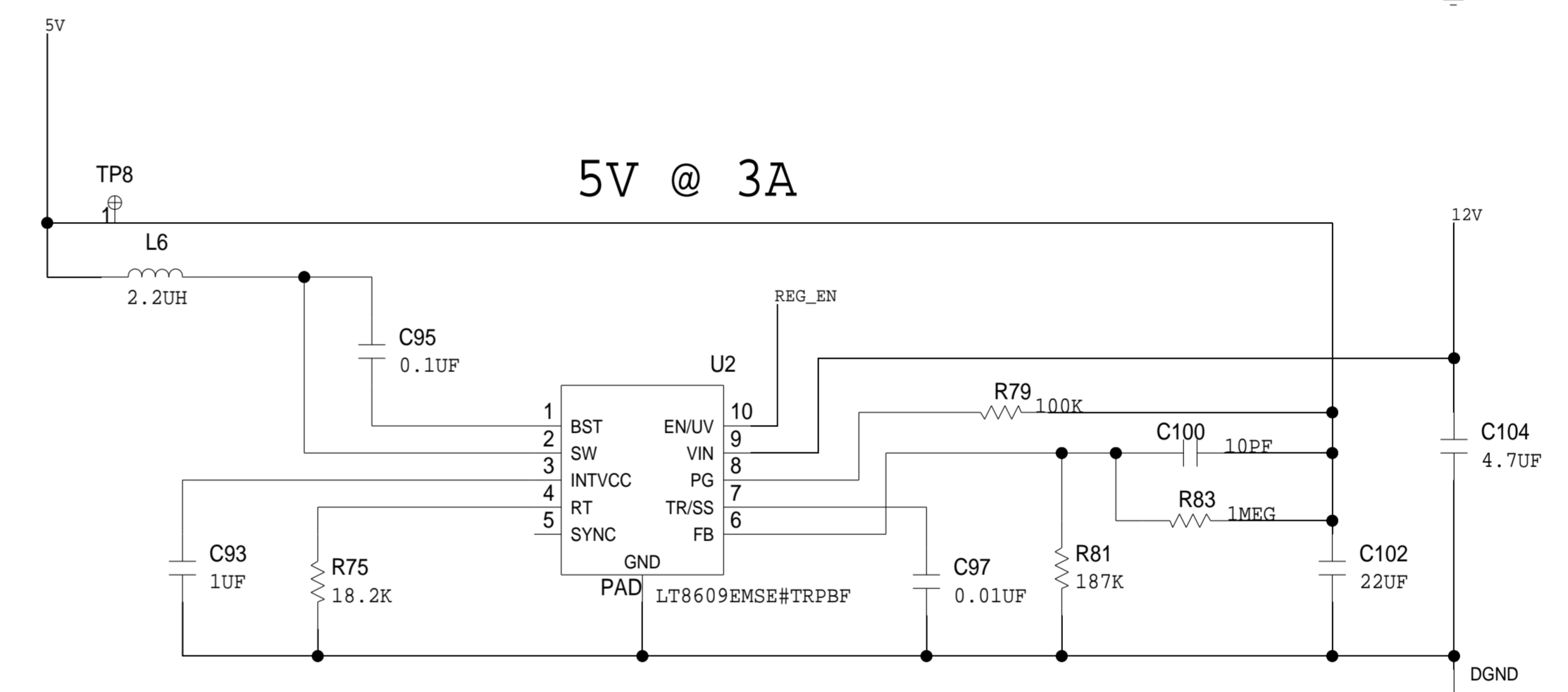
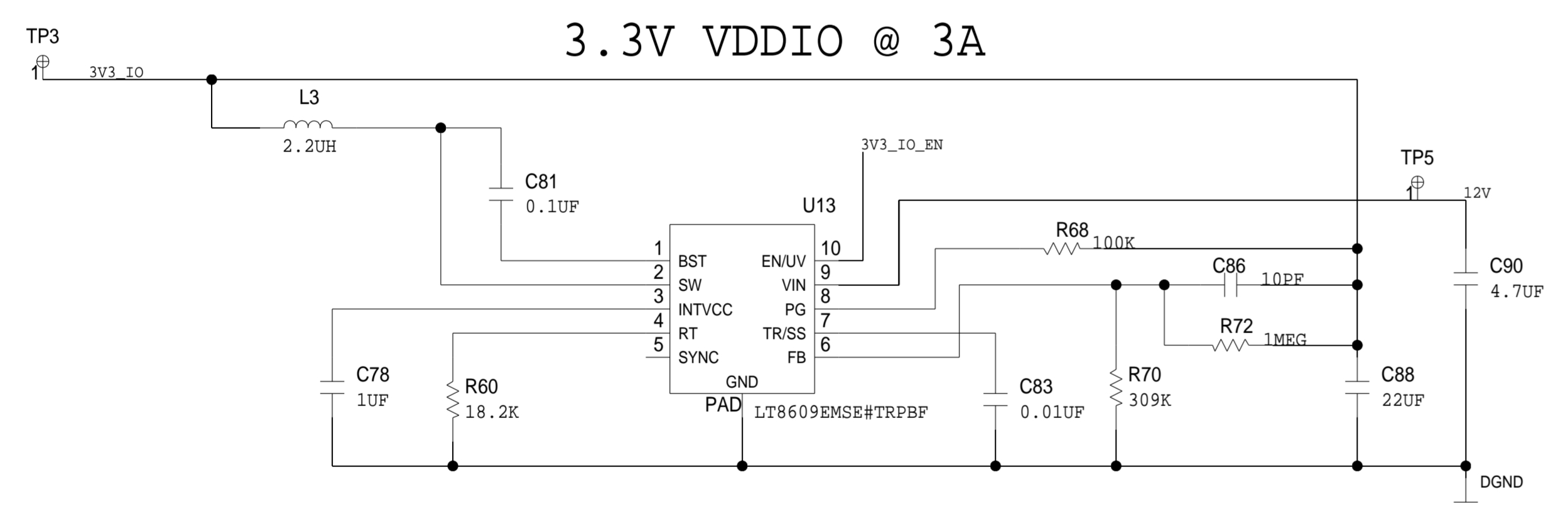
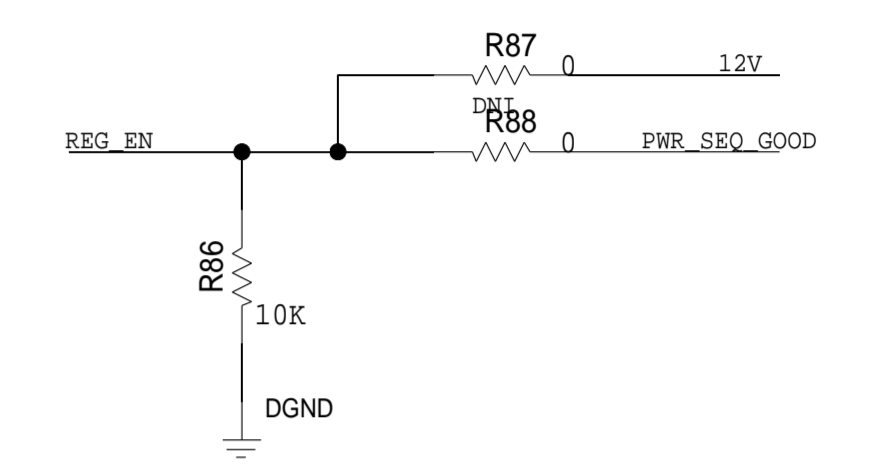
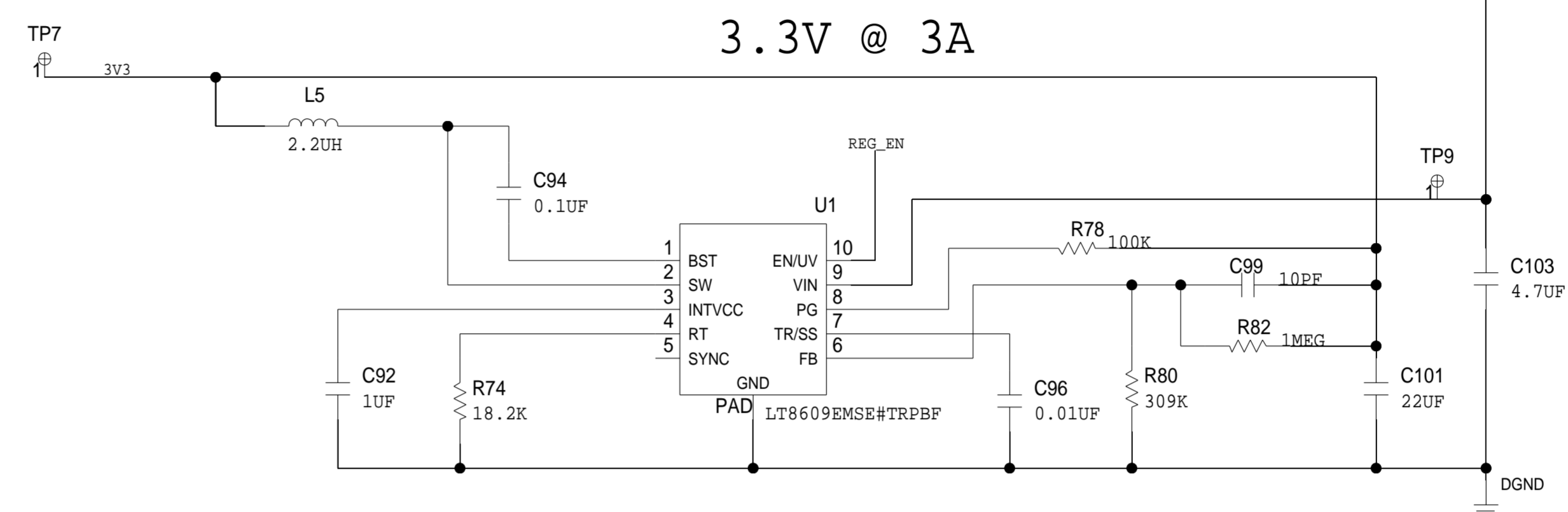
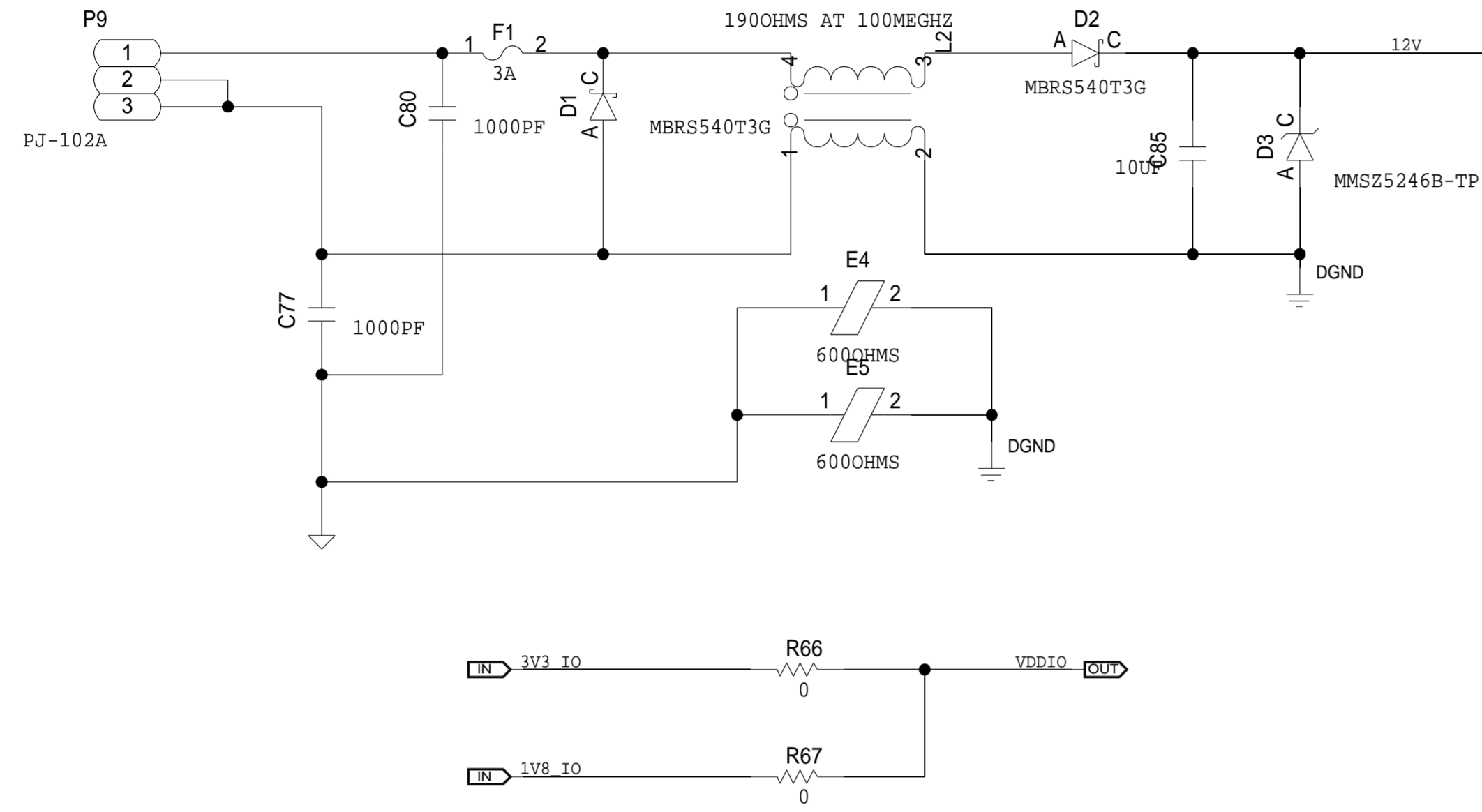
# PDM MICS



	<b>SCHEMATIC</b>		
	HW TYPE : Customer Evaluation Z Product(s) : SOM : SOM Carrier		
DESIGN VIEW <DESIGN_VIEW>	DRAWING NO. 02_070361	REV D	
PTD ENGINEER D. HARRINGTON	SIZE D	SCALE 1:1	SHEET 10 OF 13

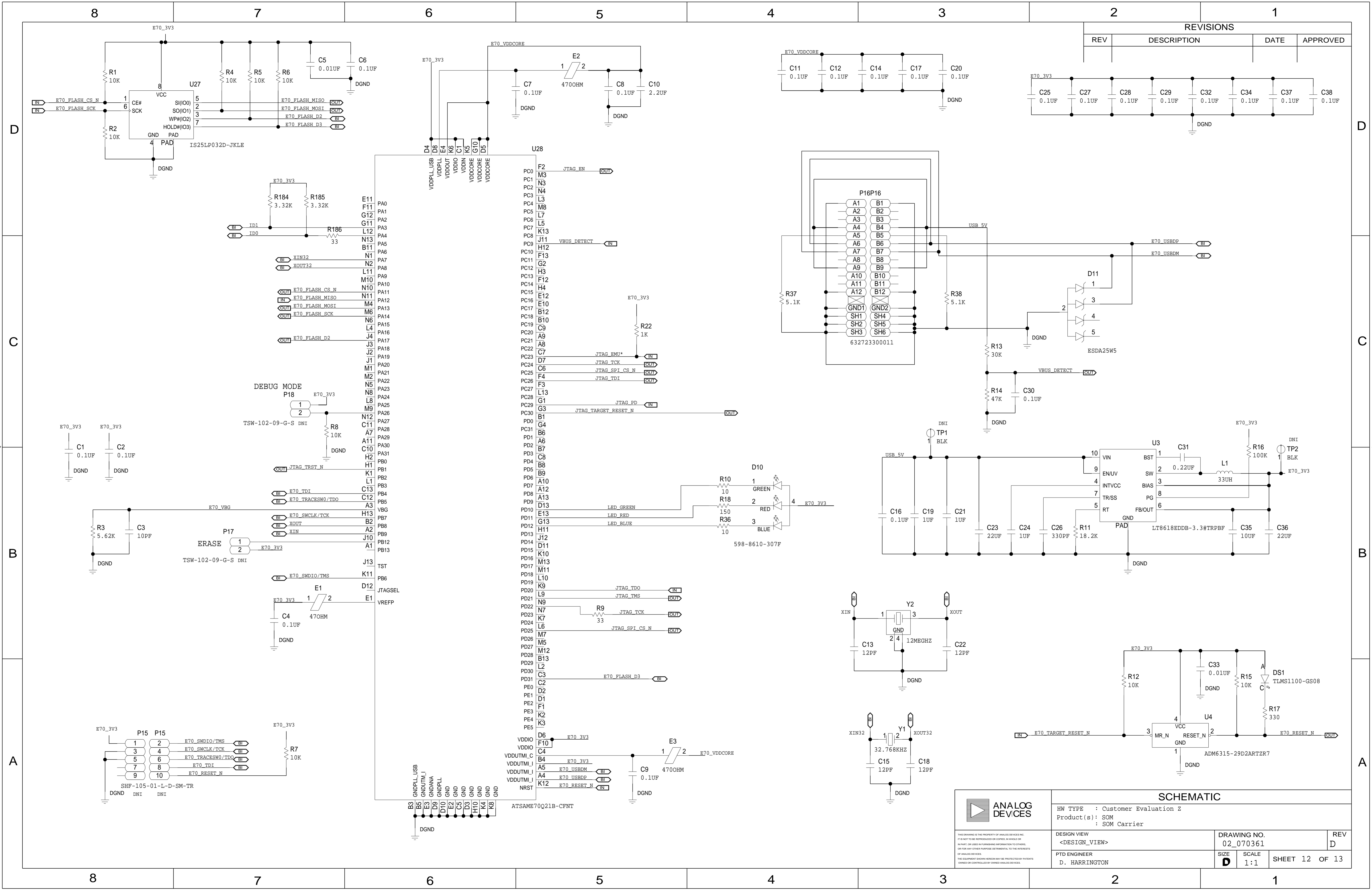
# POWER SUPPLY

REVISIONS			
REV	DESCRIPTION	DATE	APPROVED



	<b>SCHEMATIC</b>			
	HW TYPE : Customer Evaluation Z			
	Product(s) : SOM			
	: SOM Carrier			
DESIGN VIEW	DRAWING NO.		REV	
<DESIGN_VIEW>	02_070361		D	
PTD ENGINEER	SIZE	SCALE	SHEET 11 OF 13	
D. HARRINGTON	D	1:1		

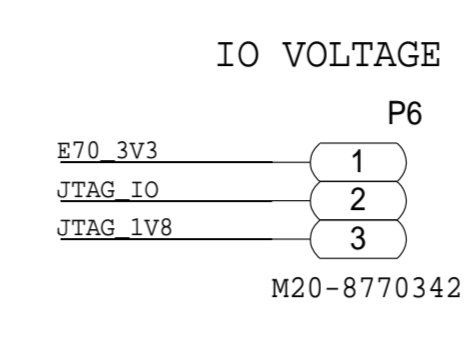
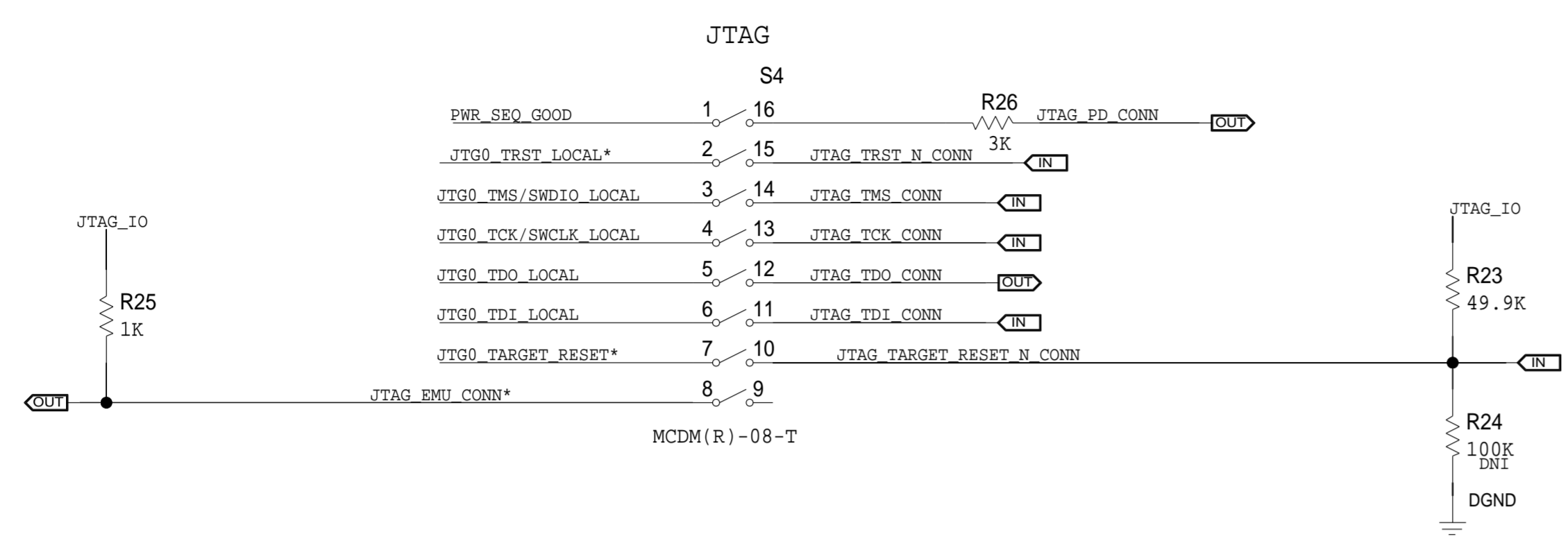
REVISIONS			
REV	DESCRIPTION	DATE	APPROVED



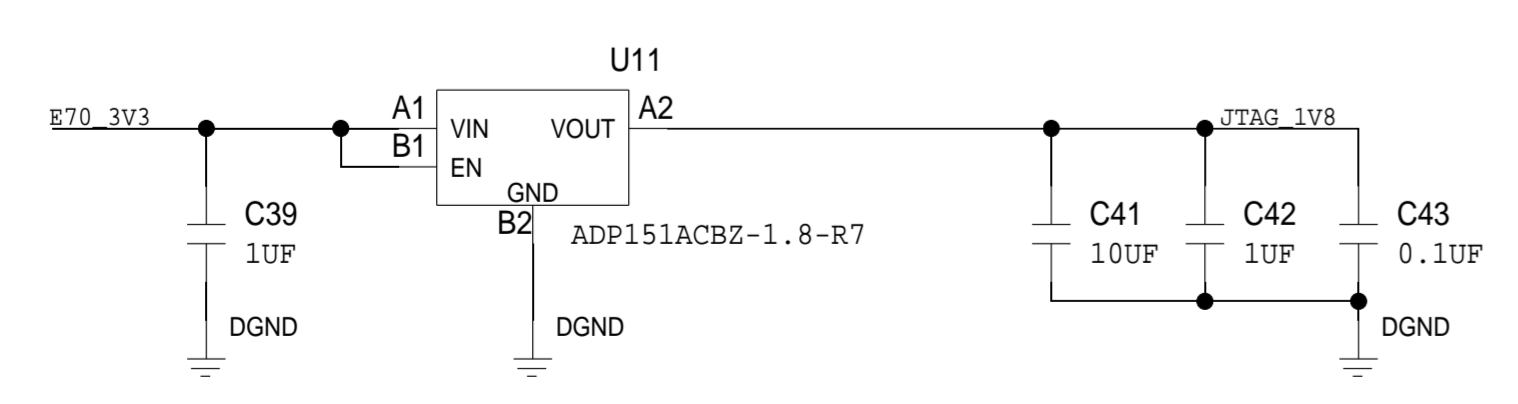
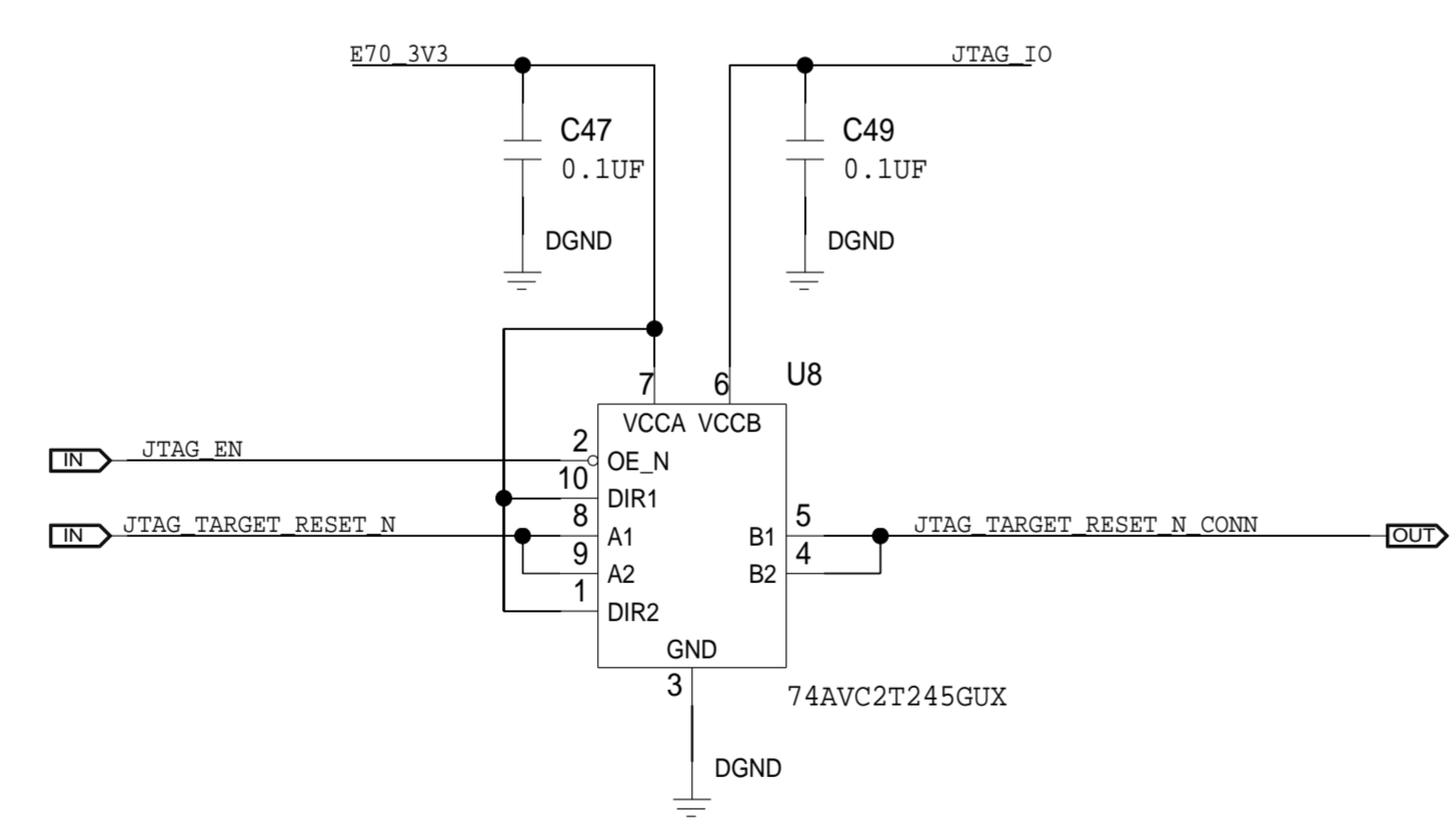
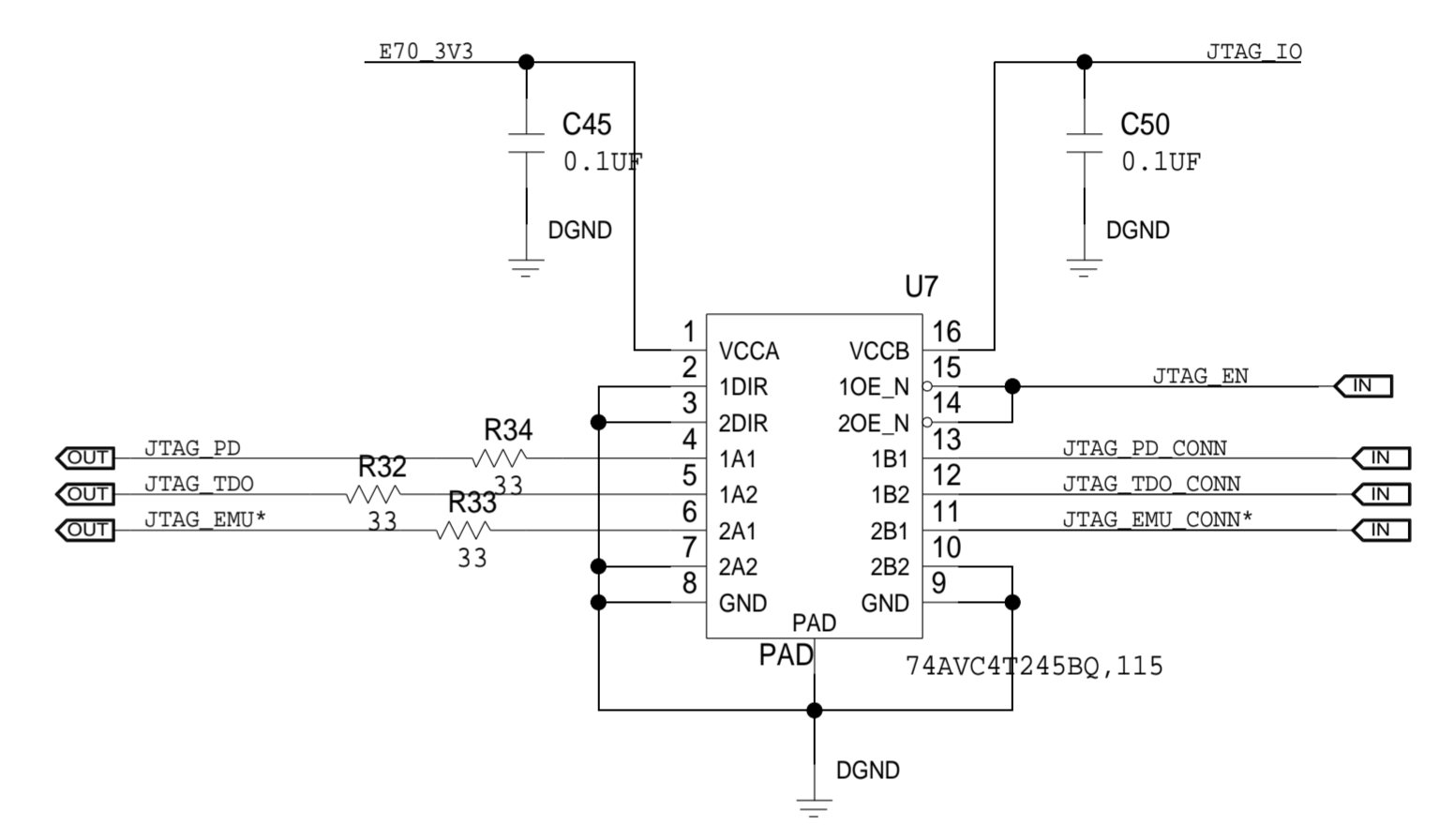
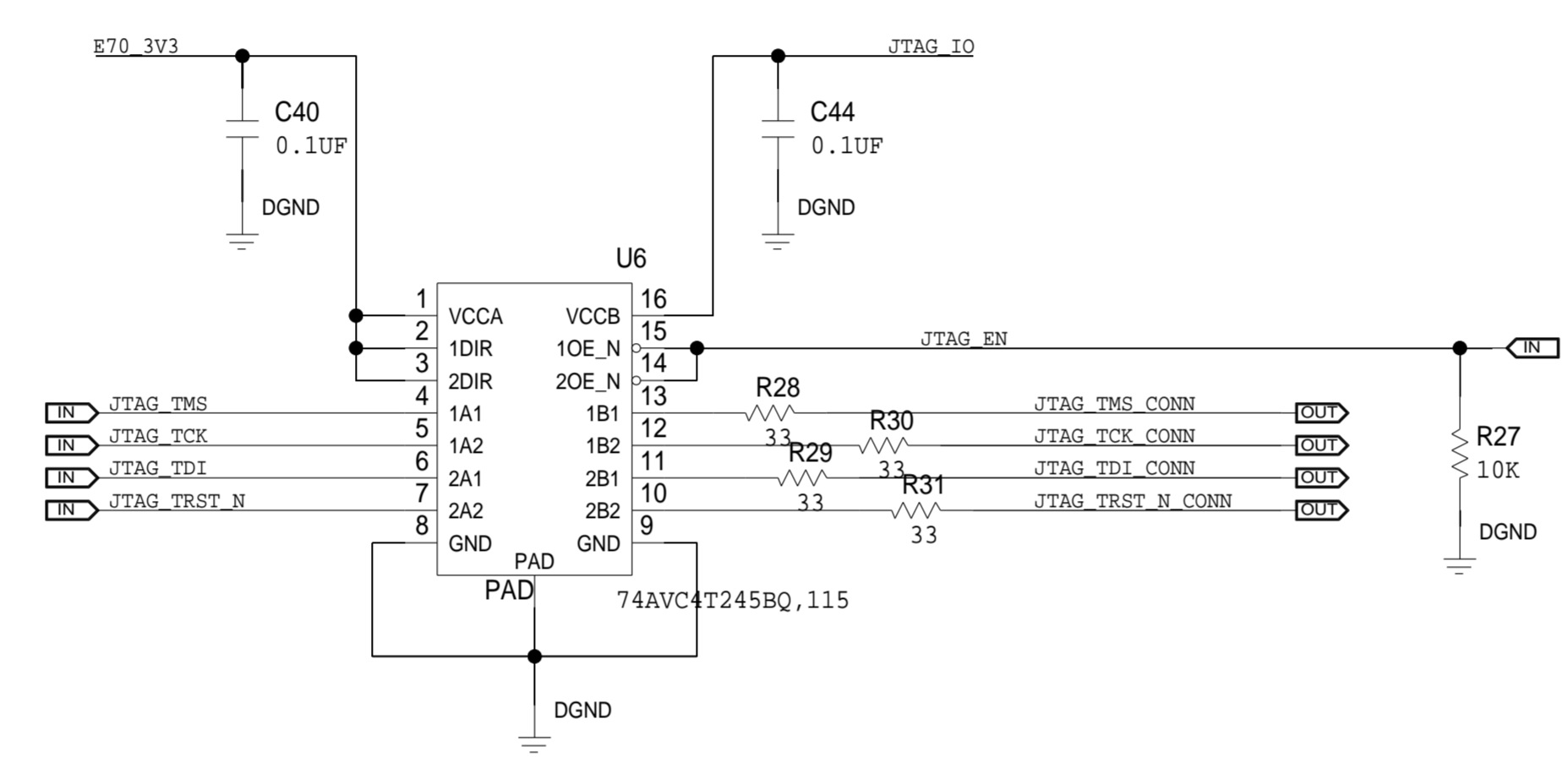
	<b>SCHEMATIC</b>		
	HW TYPE : Customer Evaluation Z Product(s) : SOM Carrier : SOM Carrier		
	DESIGN VIEW <DESIGN_VIEW>	DRAWING NO. 02_070361	REV D
	PTD ENGINEER D. HARRINGTON	SIZE D	SCALE 1:1

THIS DRAWING IS THE PROPERTY OF ANALOG DEVICES INC. IT IS NOT TO BE REPRODUCED OR COPIED, IN WHOLE OR IN PART, OR USED IN FURNISHING INFORMATION TO OTHERS, OR FOR ANY OTHER PURPOSE DETRIMENTAL TO THE INTERESTS OF ANALOG DEVICES. THE EQUIPMENT SHOWN HEREON MAY BE PROTECTED BY PATENTS OWNED OR CONTROLLED BY ANALOG DEVICES.

REVISIONS			
REV	DESCRIPTION	DATE	APPROVED



3.3V IO PIN 1-2  
1.8V IO PIN 2-3



	<b>SCHEMATIC</b>		
	HW TYPE : Customer Evaluation Z Product(s) : SOM : SOM Carrier		
	DESIGN VIEW <DESIGN_VIEW>	DRAWING NO. 02_070361	REV D
	PTD ENGINEER D. HARRINGTON	SIZE D	SCALE 1:1
		SHEET 13 OF 13	